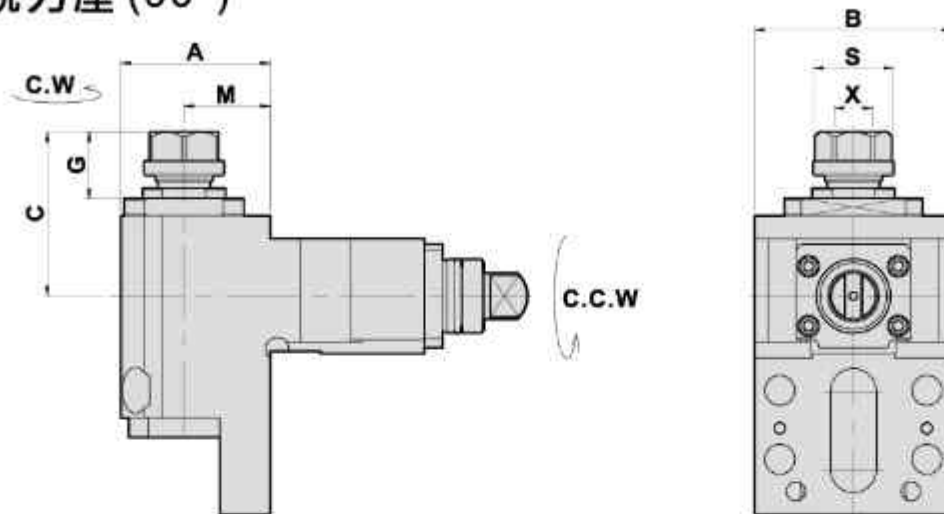


RADIAL MILLING AND DRILLING HEAD

TYPE MORI SEIKI

徑向鑽銑刀座 (90°)



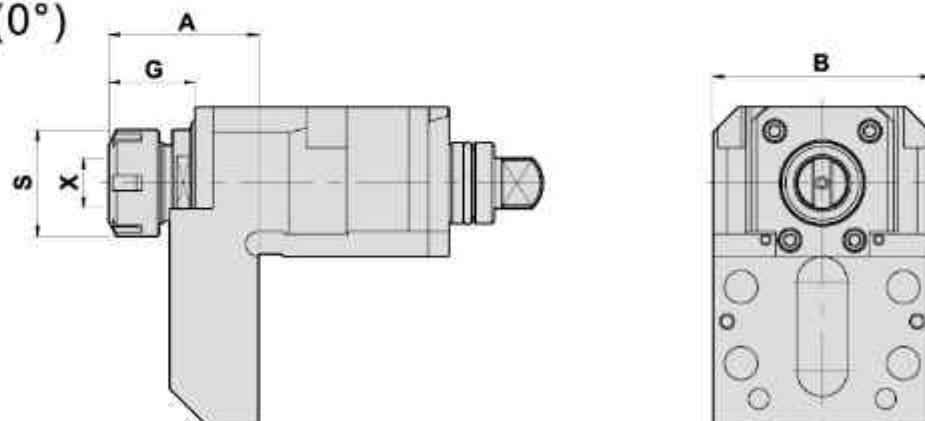
- To be used for collet DIN 6499
- External coolant supply
- Collet is not included

DIMENSIONS

Models	X Capacity	S	Maximum R.P.M.	A	B	C	G	M	Code No.	Order No.	(Kg) Weight
SL150 DL 50 ZL150	1-13 ER20	35	5000	65	86	71.5	28	37.5	2321EA-000	E150-32106	5.6
SL 200 SL250 ZL200	2-20 ER32	50	5000	92	100	93	34	55	2321EB-000	E250-32114	10

AXIAL MILLING AND DRILLING HEAD

軸向鑽銑刀座 (0°)



- To be used for collet DIN 6499
- External coolant supply
- Collet is not included

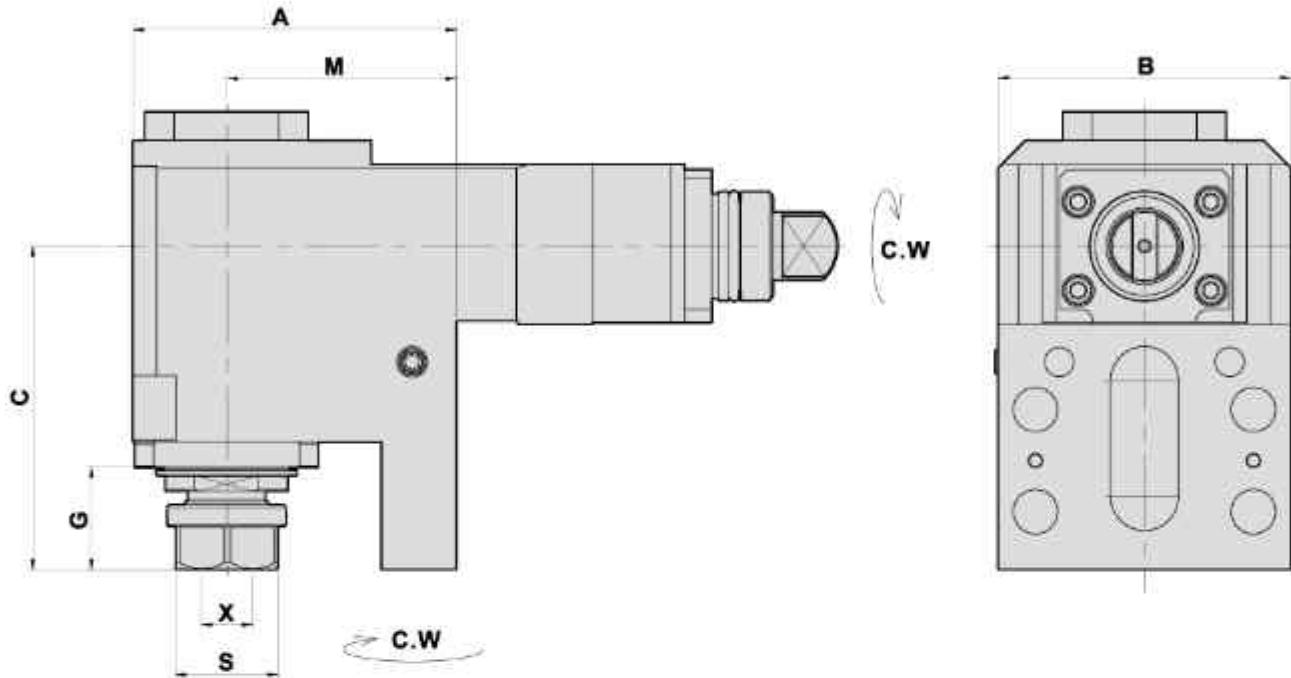
DIMENSIONS

Models	X Capacity	S	Maximum R.P.M.	A	B	G	Code No.	Order No.	(Kg) Weight
SL150 DL150 ZL 150	1-13 ER20	35	6000	59	86	34	1321DA-000	E150-0105-ER20	4.2
SI150 DL150 ZL150	1-16 ER25	42	6000	61	86	36	1321DD-000	E150-0105-ER25	4.2
SL 200 SL 250 ZL 200	2-20 ER32	50	6000	61	100	35	1321DB-000	E250-3115	5.6

RADIAL MILLING AND DRILLING HEAD (SPINDLE 2)

TYPE MORI SEIKI

徑向鑽銑刀座(副主軸)(90°)



- To be used for collet DIN 6499
- External coolant supply
- Collet is not included

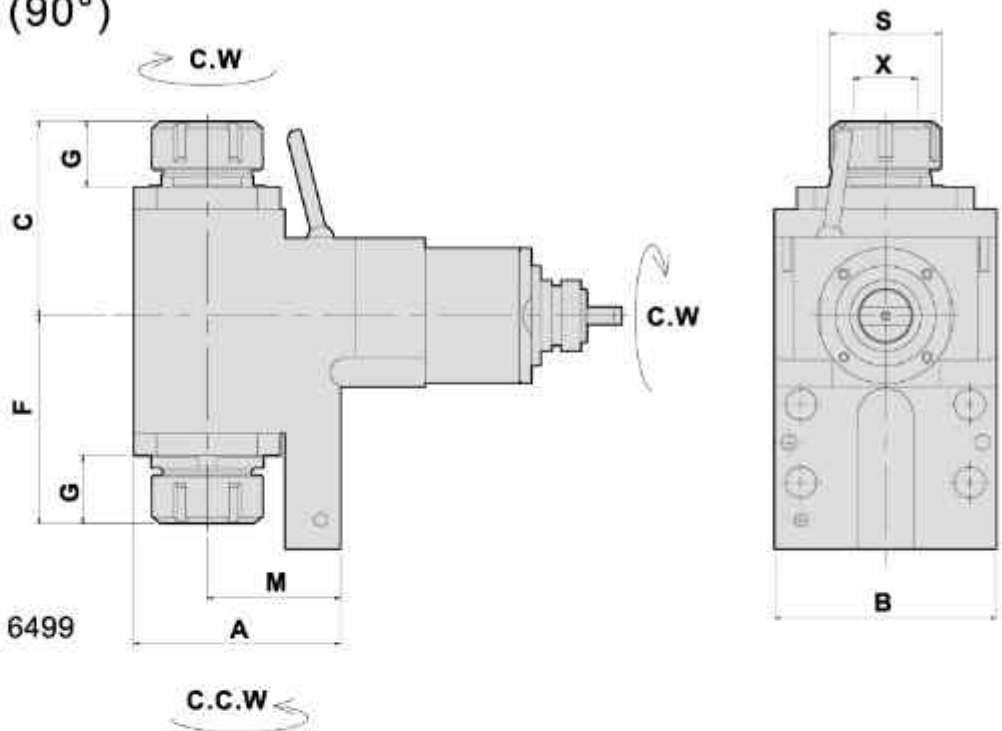
DIMENSIONS

Models	X Capacity	S	Maximum R.P.M.	A	B	C	G	M	Code No.	Order No.	(Kg) Weight
DL151	1-13 ER20	35	5000	95	86	96	32	67.5	2321EC-000	E151-32160	7.4
DL151	1-16 ER25	42	5000	95	86	97	32	67.5	2321ED-000	E151-32161	7.4
SL150 DL150 ZL150	1-13 ER20	35	5000	95	86	97	32	67.5	2321EE-000	E150-32110	7.4
SL200 SL250 ZL200	2-20 ER32	50	5000	97	100	96	34	60	2321EF-000	E250-32121	10.3

RADIAL MILLING AND DRILLING HEAD DOUBLE HEADS

TYPE MORI SEIKI

徑向雙頭鑽銑刀座 (90°)



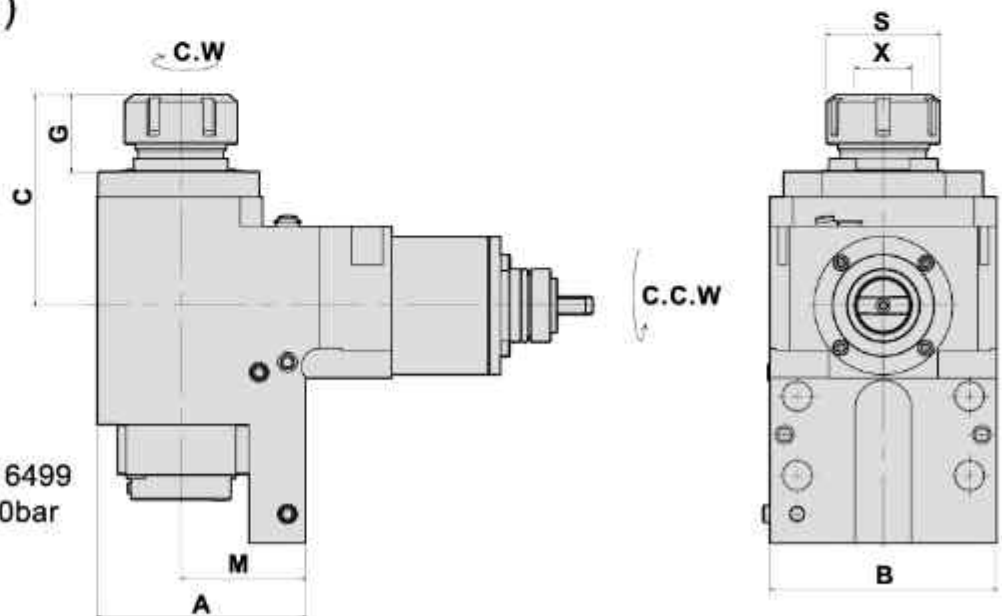
- To be used for collet DIN 6499
- External coolant supply
- Collet is not included

DIMENSIONS

Models	X Capacity	S	Maximum R.P.M.	A	B	C	F	G	M	Code No.	Order No.	(Kg) Weight
SL200 SL250 ZL200	2-20 ER32	50	5000	93	100	87.5	93.5	30	60	2321EG-000	E250-32136	10

RADIAL MILLING AND DRILLING HEAD

徑向鑽銑刀座 (90°)



- To be used for collet DIN 6499
- Internal coolant supply: 50bar
中心出水
- Collet is not included

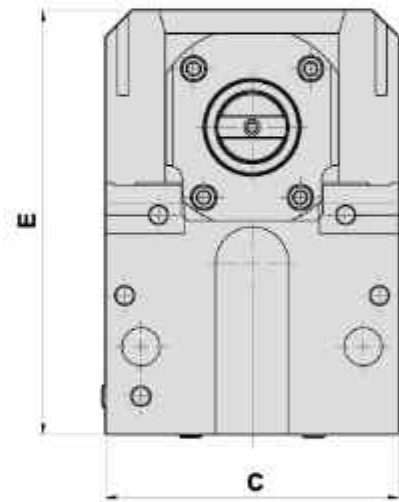
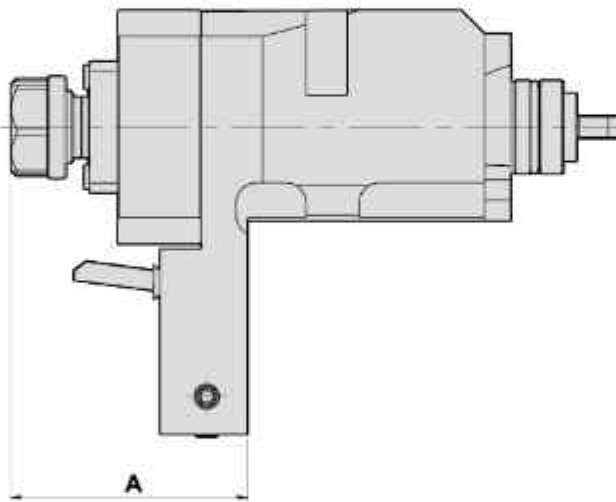
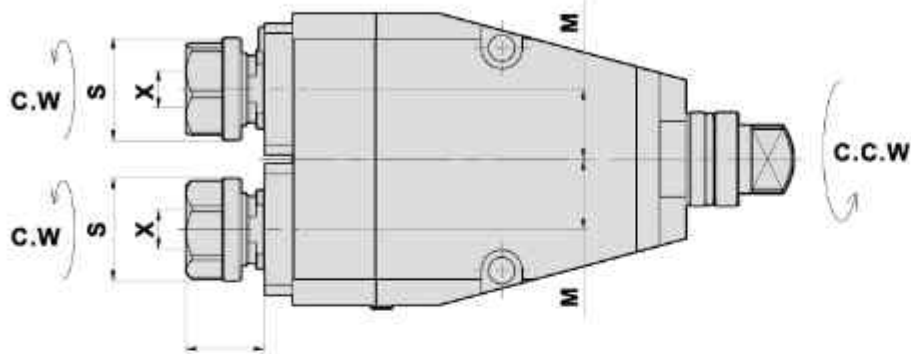
DIMENSIONS

Models	X Capacity	S	Maximum R.P.M.	A	B	C	G	M	Code No.	Order No.	(Kg) Weight
SL200 SL250 ZL200	2-20 ER32	50	5000	92	100	93	34	55	2321EH-000	E250-32114-CW	10.3

AXIAL MILLING AND DRILLING HEAD DOUBLE HEAD, Y OHHSET

TYPE MORI SEIKI

軸向鑽銑刀座 (0°) - 雙頭Y軸偏心



- To be used for collet DIN 6499
- External coolant supply
- Collet is not included

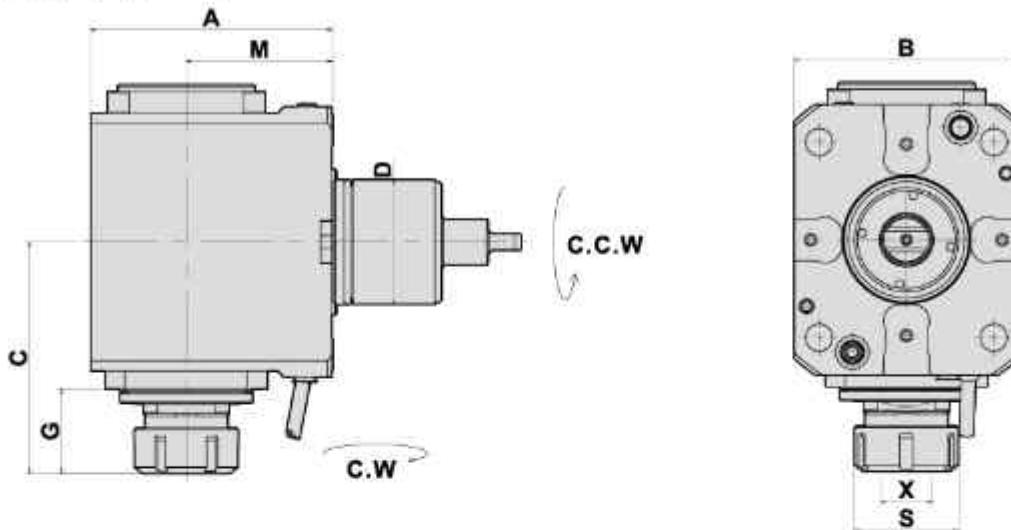
DIMENSIONS

Models	X Capacity	S	Maximum R.P.M.	A	B	C	E	M	Code No.	Order No.	(Kg) Weight
SL250 DL150 ZL150	1-13 ER20	35	6000	81	27	100	145	24	1321DC-000	SL250-DA32-20DY	7.7

RADIAL MILLING AND DRILLING HEAD

TYPE MORI SEIKI

徑向鑽銑刀座 (90°)



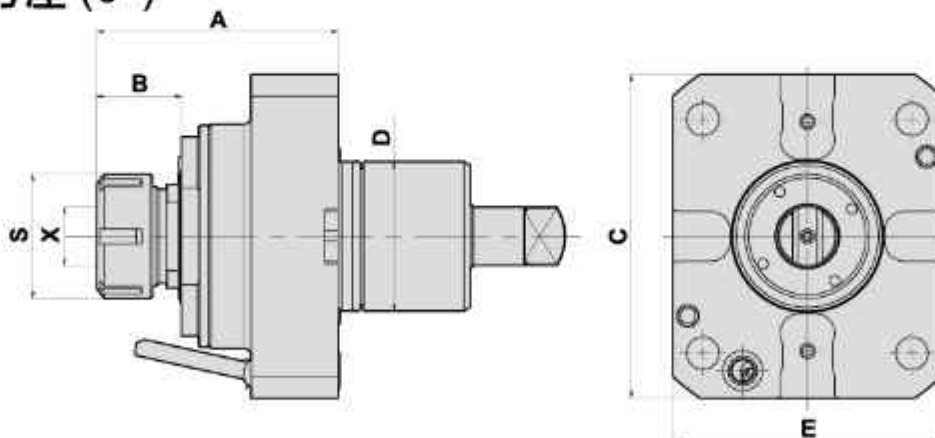
- To be used for collet DIN 6499
- External coolant supply
- Collet is not included

DIMENSIONS

Models	D	X Capacity	S	Maximum R.P.M.	A	B	C	G	M	Code No.	Order No.	(Kg) Weight
NL1500/2000 NL2500/3000 NLX1500/2000/2500 NLX3000/4000	60	2-20 ER32	50	5000	116	108	111	40	70	2601EG-000	E1500-DF60-32-70-S	11.7

AXIAL MILLING AND DRILLING HEAD

軸向鑽銑刀座 (0°)



- To be used for collet DIN 6499
- External coolant supply
- Collet is not included

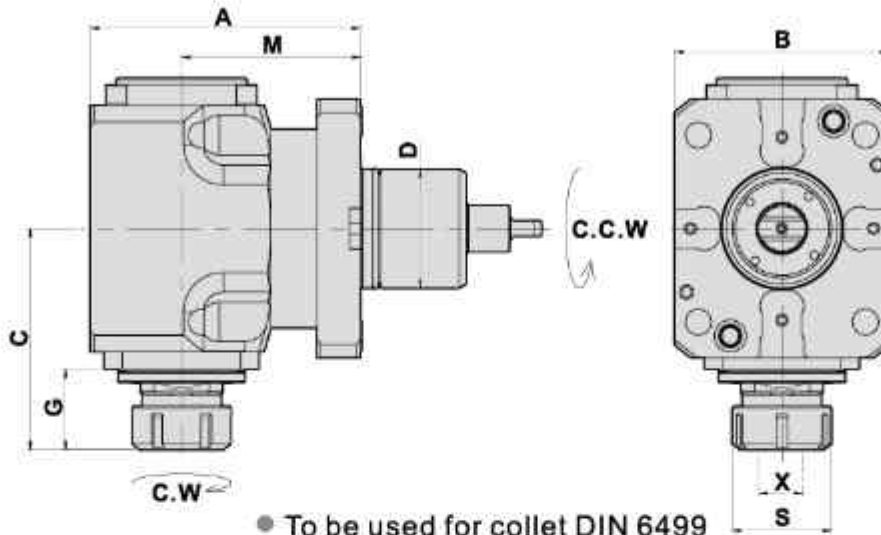
DIMENSIONS

Models	D	X Capacity	S	Maximum R.P.M.	A	B	C	E	Code No.	Order No.	(Kg) Weight
NL1500/2000	60	2-20 ER32	50	6000	97	34	130	108	1601DA-000	E1500-T32208	6
NL2500/3000 NLX1500/2000/2500	60	2-20 ER32	50	6000	73	34	130	108	1601DE-000	E1500-DA60-ER32-S	4.2
NLX3000/4000	60	3-26 ER40	63	6000	109	46	130	108	1601DK-000	E1500-DA60-ER40	6

RADIAL MILLING AND DRILLING HEAD HEAVY CUTTING

TYPE MORI SEIKI

徑向(重切削)鑽銑刀座 (90°)



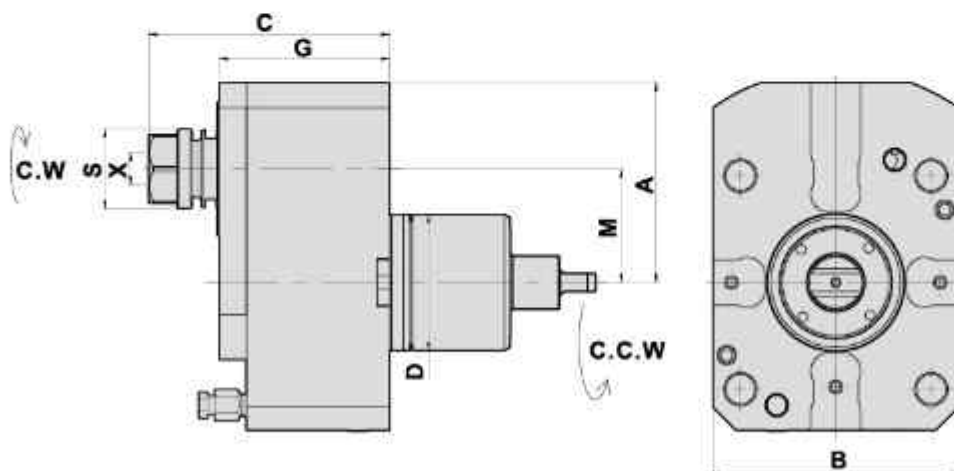
- To be used for collet DIN 6499
- External coolant supply
- Collet is not included

DIMENSIONS

Models	D	X Capacity	S	Maximum R.P.M.	A	B	C	G	M	Code No.	Order No.	(Kg) Weight
NL1500/2000 NL2500/3000	60	2-20 ER32	50	5000	136	108	111	40	90	2601EB-000	E1500-TA-T32207	12
NLX1500/2000/2500 NLX3000/4000	60	3-26 ER40	63	5000	136	108	116	46	90	2601EK-000	E1500-TA-T32217	12

AXIAL MILLING AND DRILLING HEAD OFFSET

軸向偏心鑽銑刀座 (0°)



- To be used for collet DIN 6499
- External coolant supply
- Collet is not included

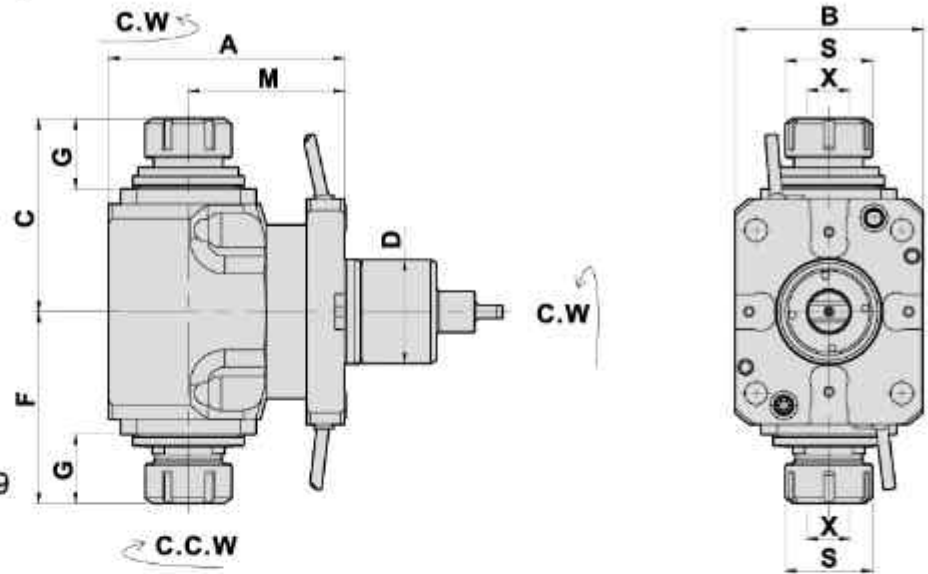
DIMENSIONS

Models	D	X Capacity	S	Maximum R.P.M.	A	B	C	G	M	Code No.	Order No.	(Kg) Weight
NL1500/2000 NL2500/3000	60	1-13 ER20	35	6000	88	108	106	75	50	1601DC-000	E1500-DA60-20-50	8.9
NLX1500/2000/2500 NLX3000/4000		1-16 ER25	42	6000	88	108	108	75	50	1601DD-000	E1500-DA60-25-50	

RADIAL MILLING AND DRILLING HEAD DOUBLE HEADS

TYPE MORI SEIKI

徑向雙頭鑽銑刀座 (90°)



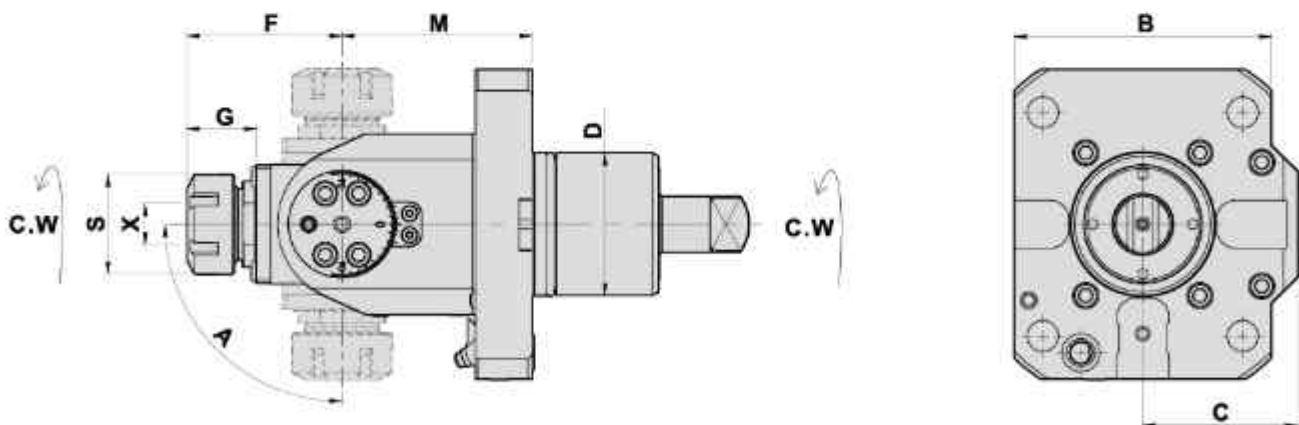
- To be used for collet DIN 6499
- External coolant supply
- Collet is not included

DIMENSIONS

Models	D	X Capacity	S	Maximum R.P.M.	A	B	C	F	G	M	Code No.	Order No.	(Kg) Weight
NL1500/2000	60	2-20 ER32	38	5000	130	108	87	87	23	90	2601ED-000	E1500-T32216-32A	9.3
NL2500/3000	60	2-20 ER32	50	5000	136	108	110	110	40	90	*2601EE-000	E1500-TA-T32216-32	12.3
NLX1500/2000/2500													
NLX3000/4000	60	3-26 ER40	63	5000	136	108	117	117	47	90	*2601EF-000	E1500-TA-T32216-40	12.5

*HEAVY CUTTING (重切削)

ANGULAR HEAD 萬向鑽銑刀座



- To be used for collet DIN 6499
- External coolant supply
- Collet is not included

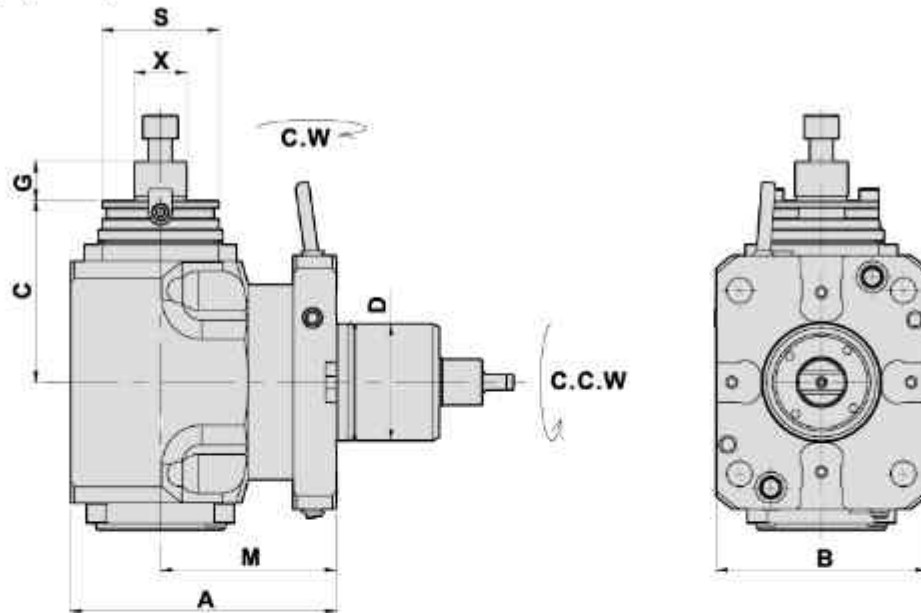
DIMENSIONS

Models	D	X Capacity	S	Maximum R.P.M.	A	B	C	F	G	M	Code No.	Order No.	(Kg) Weight
NL1500/2000 NL2500/3000 NLX1500/2000/2500 NLX3000/4000	60	1-16 ER25	42	5000	±90°	108	65	65.5	29.5	80	1601DF-000	E1500-T602580-25B	7.2

RADIAL MILLING AND DRILLING HEAD

TYPE MORI SEIKI

徑向銑削刀座 (90°)



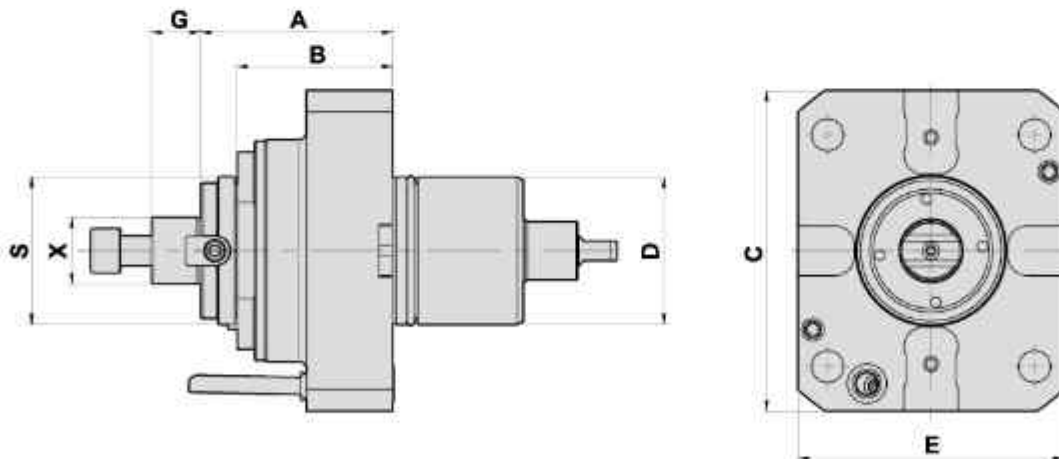
DIMENSIONS

● To be used for collet DIN 6358

Models	D	X Capacity	S	Maximum R.P.M.	A	B	C	G	M	Code No.	Order No.	(Kg) Weight
NL1500/2000 NL2500/3000 NLX1500/2000/2500 NLX3000/4000	60	27	60	5000	136	108	93	20	90	2601EC-000	T32211-27C-90	12.2

AXIAL MILLING AND DRILLING HEAD

軸向銑削刀座 (0°)



DIMENSIONS

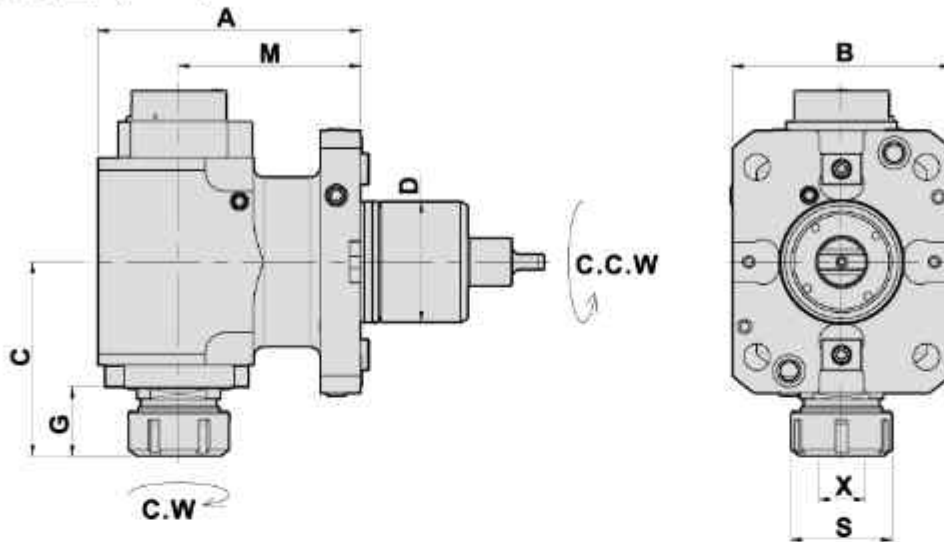
● To be used for cutter arbor according to DIN 6358

Models	D	X Capacity	S	Maximum R.P.M.	A	B	C	E	G	Code No.	Order No.	(Kg) Weight
NL1500/2000 NL2500/3000	60	22	48	6000	80	63	130	108	18	1601DB-000	T32212-DA60-22C	6.1
NLX1500/2000/2500 NLX3000/4000	60	27	60	6000	78	63	130	108	20	1601DG-000	NL1500-DA60-27C	6.1

RADIAL MILLING AND DRILLING HEAD

TYPE MORI SEIKI

徑向鑽銑刀座 (90°)



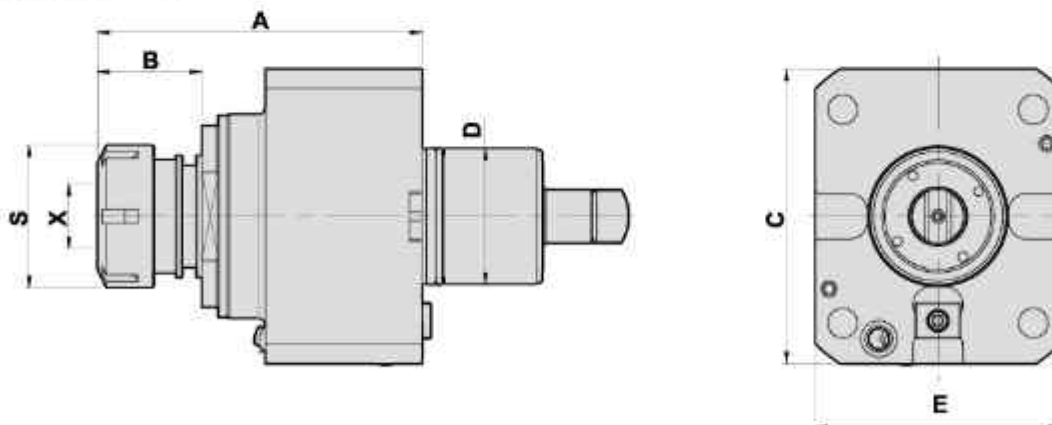
- To be used for collet DIN 6499
- Internal coolant supply: 50bar 中心出水
- Collet is not included

DIMENSIONS

Models	D	X Capacity	S	Maximum R.P.M.	A	B	C	G	M	Code No.	Order No.	(Kg) Weight
NL1500/2000 NL2500/3000	60	2-20 ER32	50	5000	130	108	96	34	90	2601EH-000	NL1500-CW-DF60-32-90	9.6
NLX1500/2000/2500 NLX3000/4000	60	3-26 ER40	63	5000	130	108	107.5	45.5	90	2601EI-000	NL1500-CW-DF60-40-90	9.9

AXIAL MILLING AND DRILLING HEAD

軸向鑽銑刀座 (0°)



- To be used for collet DIN 6499
- Internal coolant supply: 15bar 中心出水
- Collet is not included

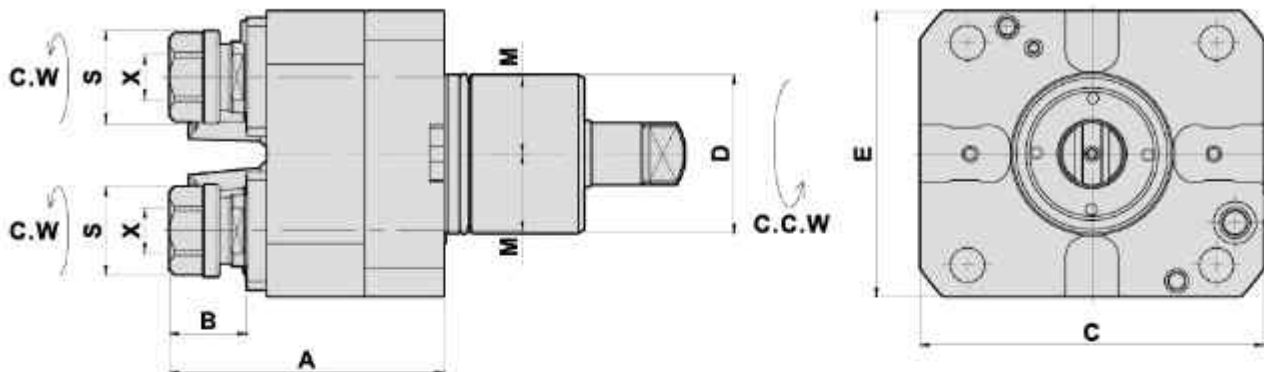
DIMENSIONS

Models	D	X Capacity	S	Maximum R.P.M.	A	B	C	E	Code No.	Order No.	(Kg) Weight
NL1500/2000 NL2500/3000	60	2-20 ER32	50	6000	130	33	130	108	1601DH-000	NL1500-CW-DA60-ER32	9.3
NLX1500/2000/2500 NLX3000/4000	60	3-26 ER40	63	6000	143	46	130	108	1601DI-000	NL1500-CW-DA60-ER40	9.6

AXIAL MILLING AND DRILLING HEAD DOUBLE HEAD, Y OFFSET

TYPE MORI SEIKI

軸向鑽銑刀座-雙頭Y軸偏心 (0°)



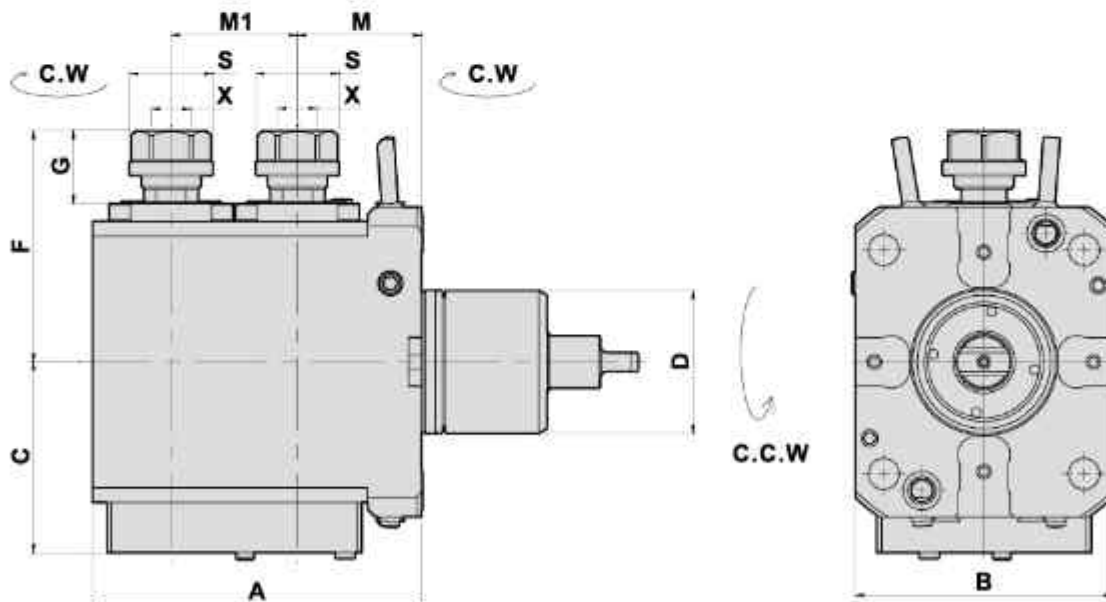
- To be used for collet DIN 6499
- External coolant supply
- Collet is not included

DIMENSIONS

Models	D	X Capacity	S	Maximum R.P.M.	A	B	C	E	M	Code No.	Order No.	(Kg) Weight
NL1500/2000 NL2500/3000	60	1-13 ER20	35	6000	104	29	130	108	29	1601DN-000	NL1500-DA60-20DY	6.7
NLX1500/2000/2500 NLX3000/4000	60	1-16 ER25	42	6000	110	35.5	130	108	29	1601DX-000	NL1500-DA60-25DY	7

RADIAL MILLING AND DRILLING HEAD DOUBLE HEAD

徑向雙頭鑽銑刀座 (90°)



- To be used for collet DIN 6499
- External coolant supply
- Collet is not included

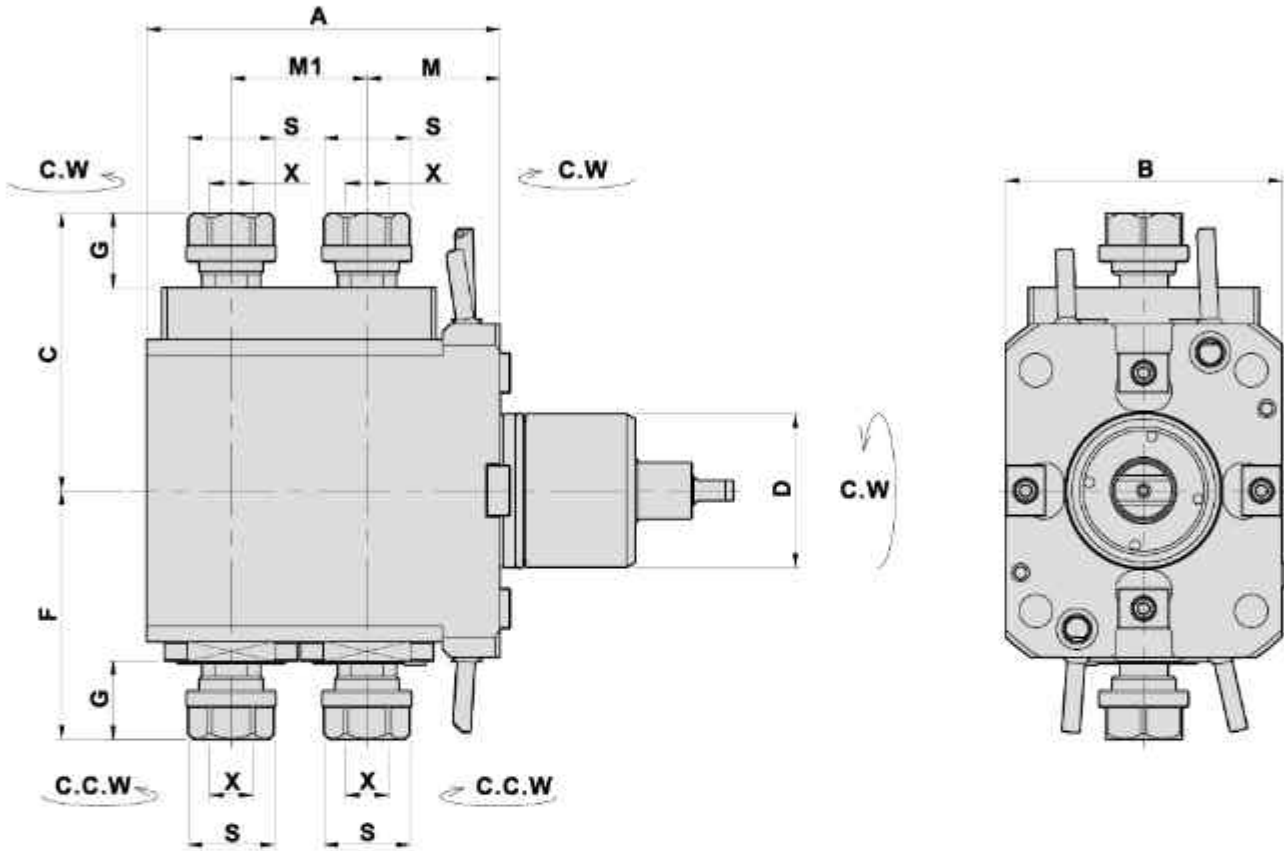
DIMENSIONS

Models	D	X Capacity	S	Maximum R.P.M.	A	B	C	F	G	M	M1	Code No.	Order No.	(Kg) Weight
NL1500/2000 NL2500/3000 NLX1500/2000/2500 NLX3000/4000	60	1-13 ER20	35	5000	138	108	80	98	30.5	52	53	2601EL-000	NL1500-DF60-20-2-105	13

RADIAL MILLING AND DRILLING HEAD MULTI HEAD

TYPE MORI SEIKI

徑向多頭鑽銑刀座 (90°)



- To be used for collet DIN 6499
- External coolant supply
- Collet is not included

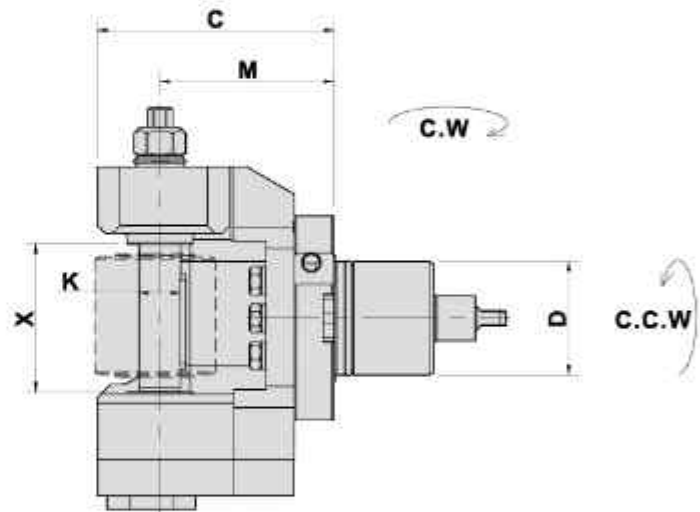
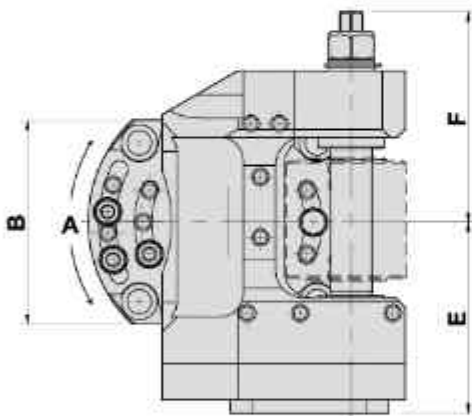
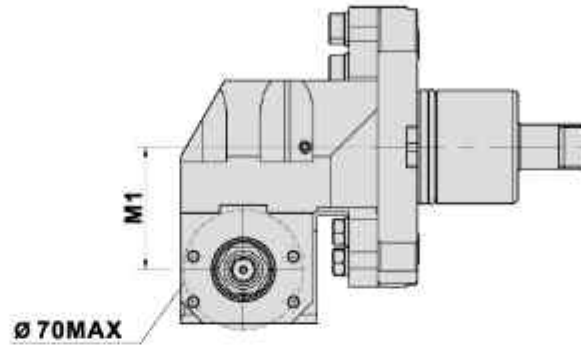
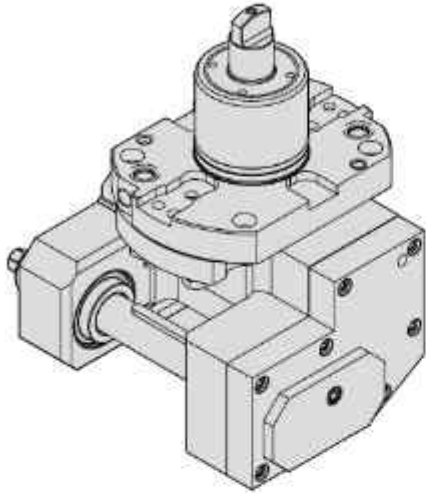
DIMENSIONS

Models	D	X Capacity	S	Maximum R.P.M.	A	B	C	F	G	M	M1	Code No.	Order No.	(Kg) Weight
NL1500/2000 NL2500/3000 NLX1500/2000/2500 NLX3000/4000	60	1-13 ER20	35	5000	138	108	108	97	30	52	53	2601EJ-000	NL1500-DF60-20-4-105	13.2

DRIVEN GEAR HOBBER

TYPE MORI SEIKI

滾齒刀座



DIMENSIONS

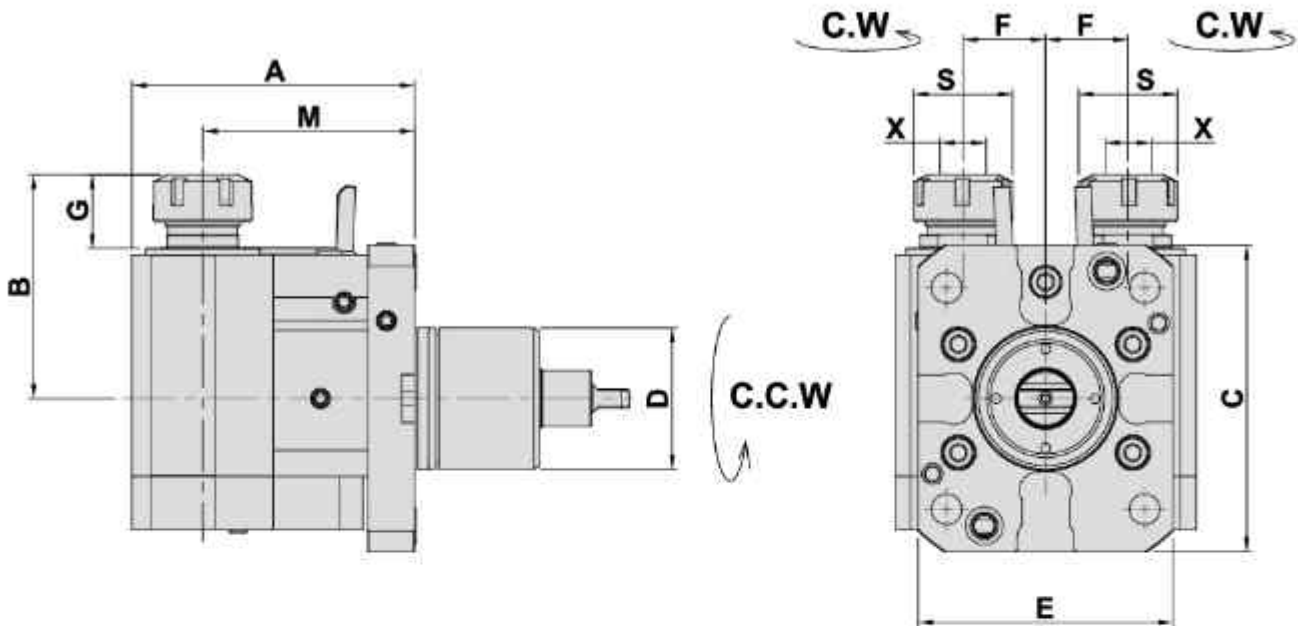
● External coolant supply

Models	D	X	Maximum R.P.M.	A	B	C	E	F	K	M	M1	Code No.	Order No.	(Kg) Weight
NL1500/2000	60	78	4000	±20°	108	125	101	111	22	92	65	2601EM-000	E1500-DF60-22C-65-92	13.2
NL2500/3000	60	78	4000	±20°	108	125	101	111	22.225	92	65	2601EP-000	E1500-DF60-22.225C-65-92	13.2
NLX1500/2000/2500												2601ER-000	E1500-DF60-19.05C-65-92	13.2
NLX3000/4000	60	78	4000	±20°	108	125	101	111	19.05	92	65	2601ER-000	E1500-DF60-19.05C-65-92	13.2

RADIAL MILLING AND DRILLING HEAD MULTI HEAD

TYPE MORI SEIKI

徑向多頭鑽銑刀座 (90°)



- To be used for collet DIN 6499
- External coolant supply
- Collet is not included

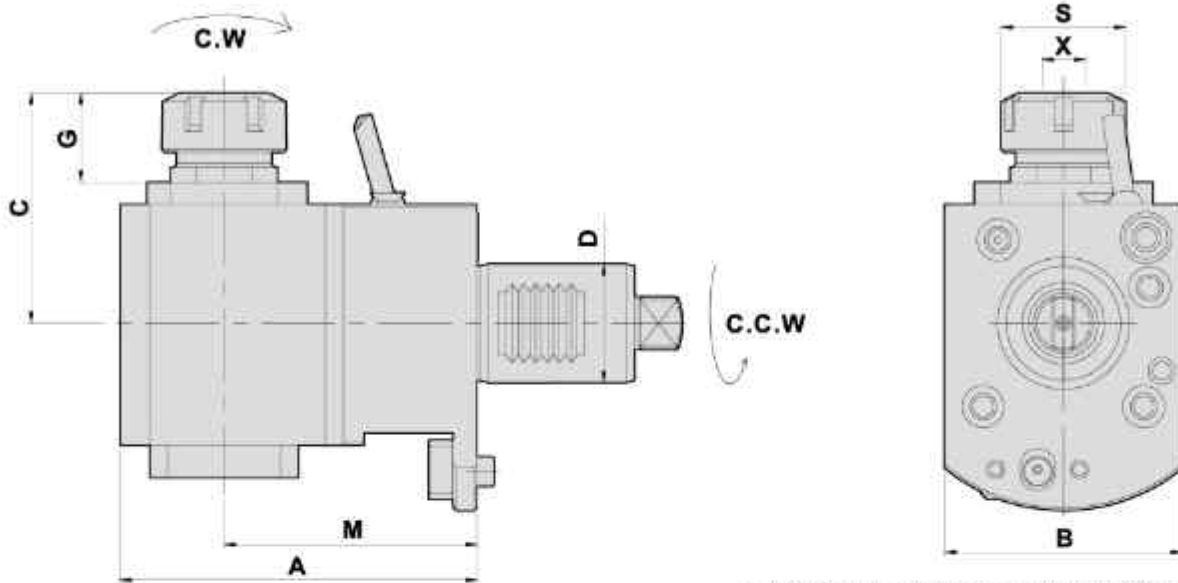
DIMENSIONS

Models	D	X Capacity	S	Maximum R.P.M.	A	B	C	E	F	G	M	Code No.	Order No.	(Kg) Weight
NL1500/2000 NL2500/3000 NLX1500/2000/2500 NLX3000/4000	60	1-16 ER25	42	5000	120	95	130	108	35	31.2	90	2601EU-000	E1500-DF60-25x2-90DY	12.4

RADIAL MILLING AND DRILLING HEAD

TYPE MORI SEIKI

徑向鑽銑刀座 (90°)



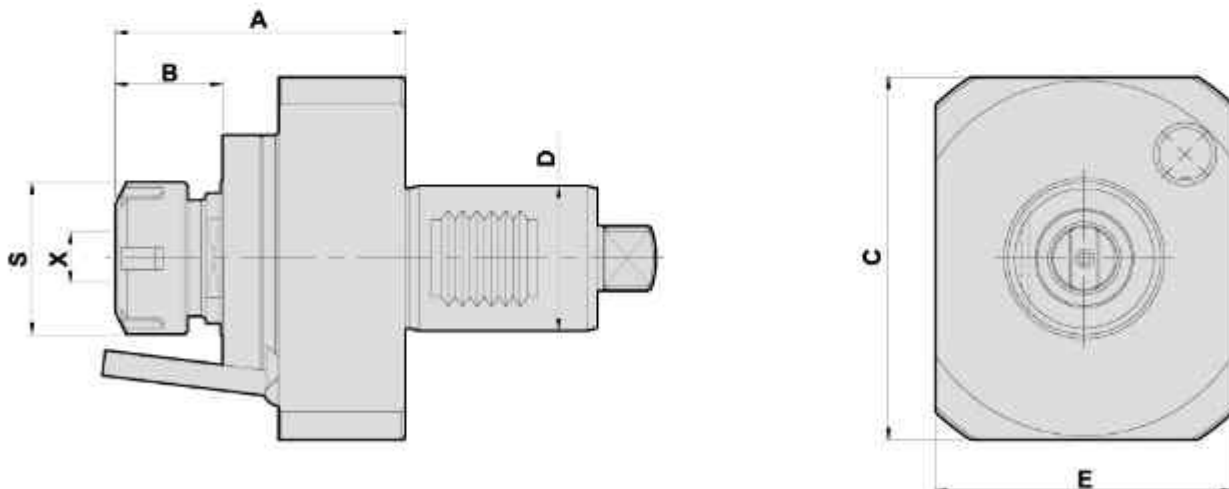
- To be used for collet DIN 6499
- External coolant supply
- Collet is not included

DIMENSIONS

Models	D	X Capacity	S	Maximum R.P.M.	A	B	C	G	M	Code No.	Order No.	(Kg) Weight
NZ1500/2000 NZX1500/2000/2500	40	1-16 ER25	42	5000	120	80	77.5	29	85	2401EA-000	T32473A02	6.4

AXIAL MILLING AND DRILLING HEAD

軸向鑽銑刀座 (0°)



- To be used for collet DIN 6499
- External coolant supply
- Collet is not included

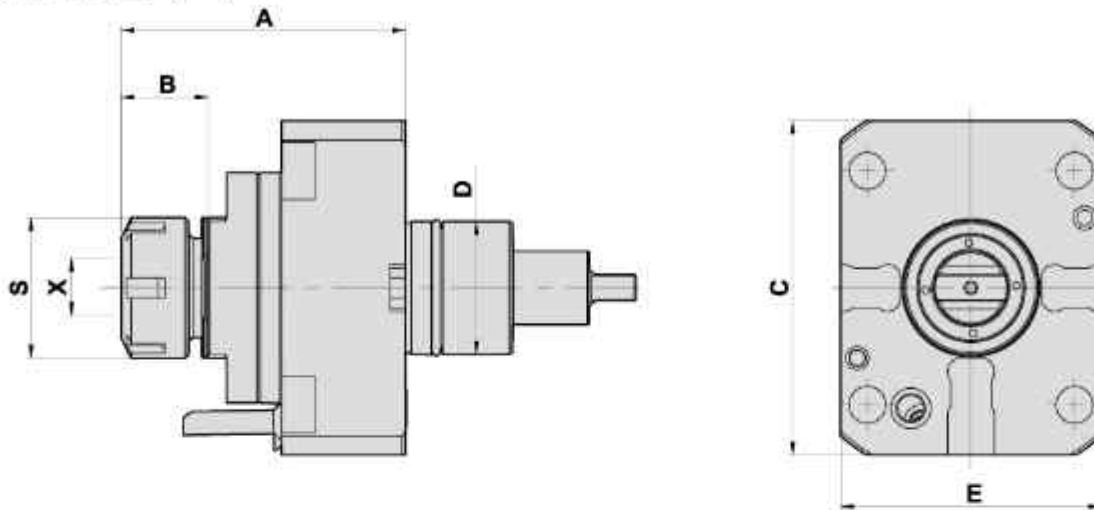
DIMENSIONS

Models	D	X Capacity	S	Maximum R.P.M.	A	B	C	E	Code No.	Order No.	(Kg) Weight
NZ1500/2000 NZX1500/2000/2500	40	1-16 ER25	42	6000	80	29.5	100	82	1401DA-000	T32473A01	3.2

AXIAL MILLING AND DRILLING HEAD

TYPE MORI SEIKI

軸向鑽銑刀座 (0°)



- To be used for collet DIN 6499
- External coolant supply
- Collet is not included

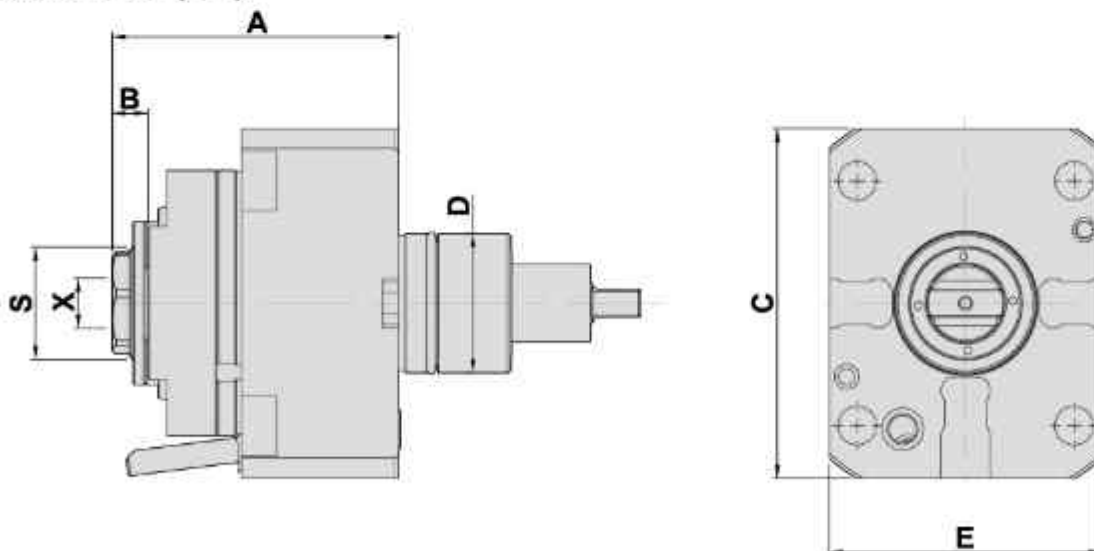
DIMENSIONS

Models	D	X Capacity	S	Maximum R.P.M.	A	B	C	E	Code No.	Order No.	(Kg) Weight
NZ1500/2000	40	1-16 ER25	42	6000	85	26	100	78	1401DK-000	NZ-BMT-DA40-ER25	3
		2-20 ER32								1401DJ-000	
NZX1500/2000/2500	40	2-20 ER32	50	4000	90	28.5	100	82	*1401DU-000	NZ-BMT-DA40-ER32-TA	3.5

*HEAVY CUTTING(重切削)

AXIAL MILLING AND DRILLING HEAD

軸向鑽銑刀座 (0°)



- To be used for collet DIN 6499
- External coolant supply
- Collet is not included

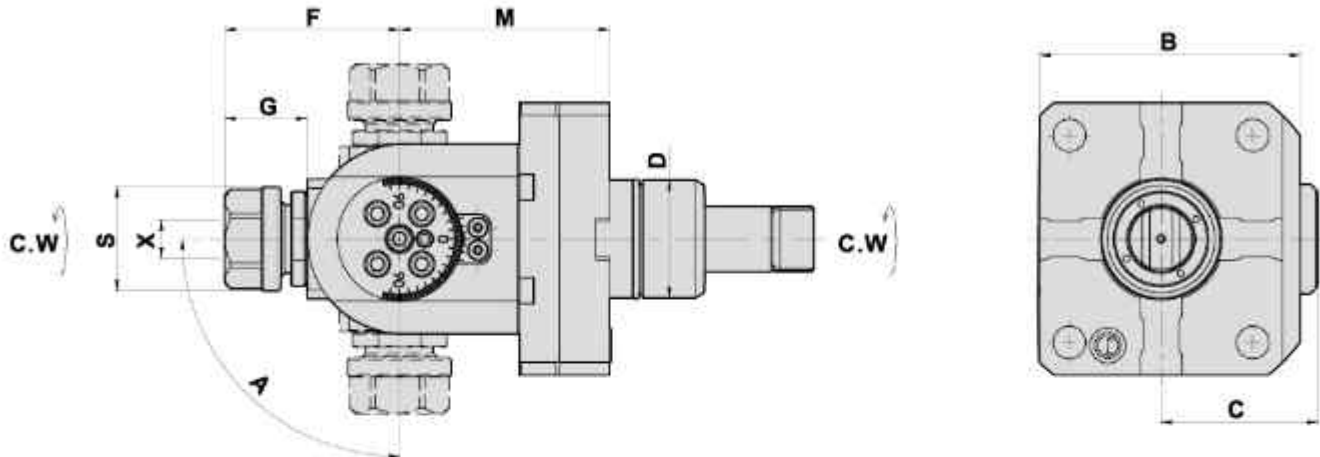
DIMENSIONS

Models	D	X Capacity	S	Maximum R.P.M.	A	B	C	E	Code No.	Order No.	(Kg) Weight
NZ1500/2000 NZX1500/2000/2500	40	1-16 ER25	32	6000	82	10.2	100	78	1401DN-000	NZ-BMT-DA40-ER25A	3.5

ANGULAR HEAD

TYPE MORI SEIKI

萬向鑽銑刀座



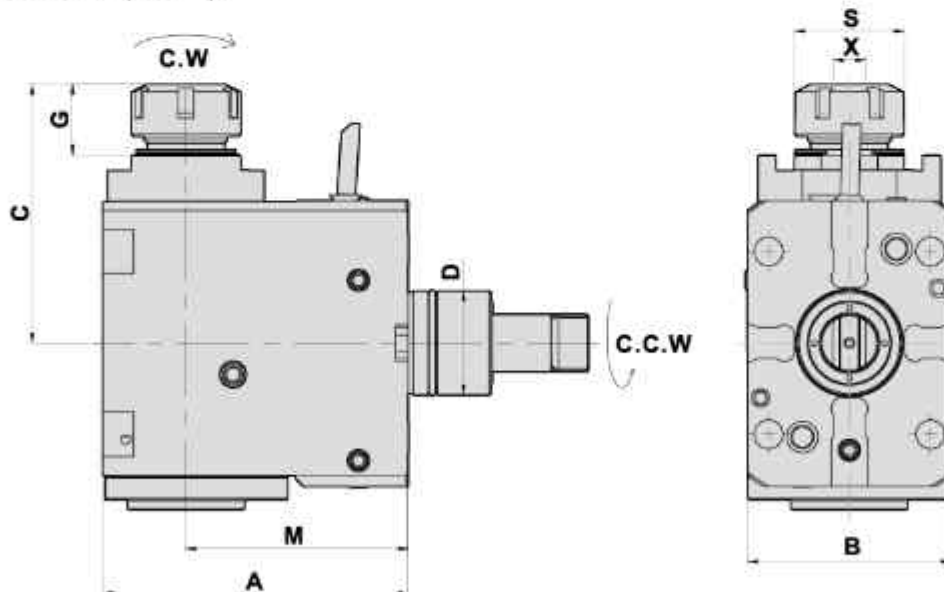
- To be used for collet DIN 6499
- External coolant supply
- Collet is not included

DIMENSIONS

Models	D	X Capacity	S	Maximum R.P.M.	A	B	C	F	G	M	Code No.	Order No.	(Kg) Weight
NZ1500/2000 NZX1500/2000/2500	40	1-13 ER25	35	5000	±90°	88	53	59	28	71	1401DL-000	NZ-BMT-DA40-20B	4.2

RADIAL MILLING AND DRILLING HEAD

徑向鑽銑刀座 (90°)



- To be used for collet DIN 6499
- External coolant supply
- Collet is not included

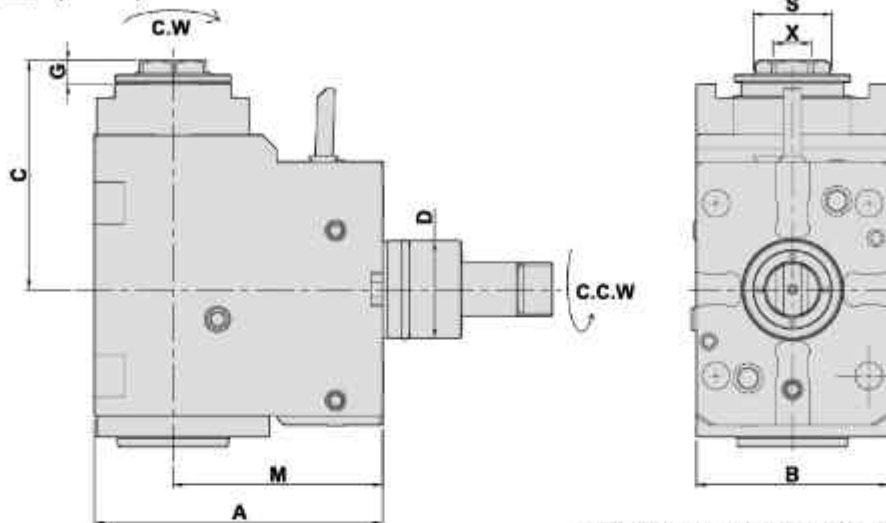
DIMENSIONS

Models	D	X Capacity	S	Maximum R.P.M.	A	B	C	G	M	Code No.	Order No.	(Kg) Weight
NZ1500/2000	40	1-16 ER25	42	5000	117	78	99	27	85	2401EK-000	NZ-BMT-DF40-25-85	7.6
NZX1500/2000/2500	40	2-20 ER32	50	5000	117	78	112	28.7	85	2401EV-000	NZ-BMT-DF40-32-85	8.3

RADIAL MILLING AND DRILLING HEAD

TYPE MORI SEIKI

徑向鑽銑刀座 (90°)



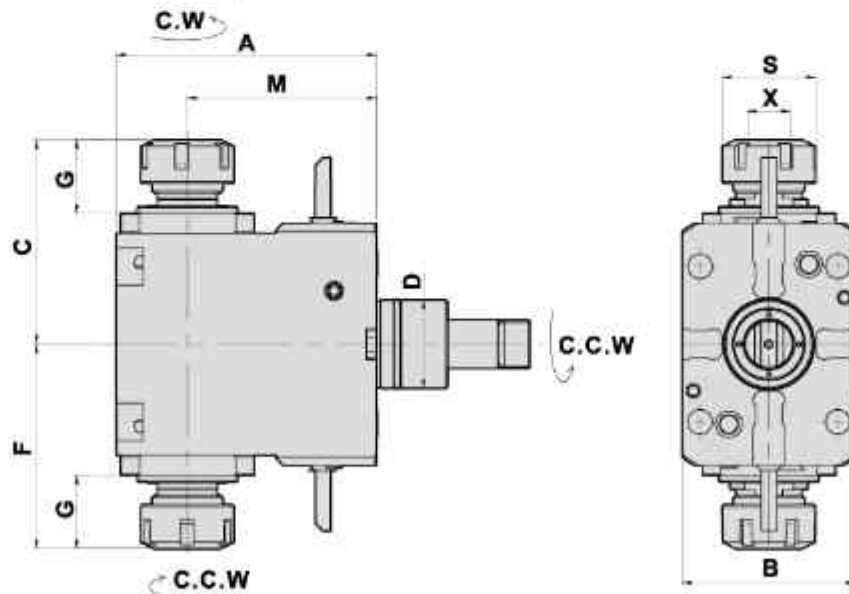
- To be used for collet DIN 6499
- External coolant supply
- Collet is not included

DIMENSIONS

Models	D	X Capacity	S	Maximum R.P.M.	A	B	C	G	M	Code No.	Order No.	(Kg) Weight
NZ1500/2000	40	1-16 ER25A	32	5000	117	78	93	10	85	2401EQ-000	NZ-BMT-DF40-25A-85	7.9
NZX1500/2000/2500	40	2-20 ER32A	40	5000	117	78	96	17	85	2401ER-000	NZ-BMT-DF40-32A-85	8

RADIAL MILLING AND DRILLING HEAD DOUBLE HEADS

徑向雙頭鑽銑刀座 (90°)



- To be used for collet DIN 6499
- External coolant supply
- Collet is not included

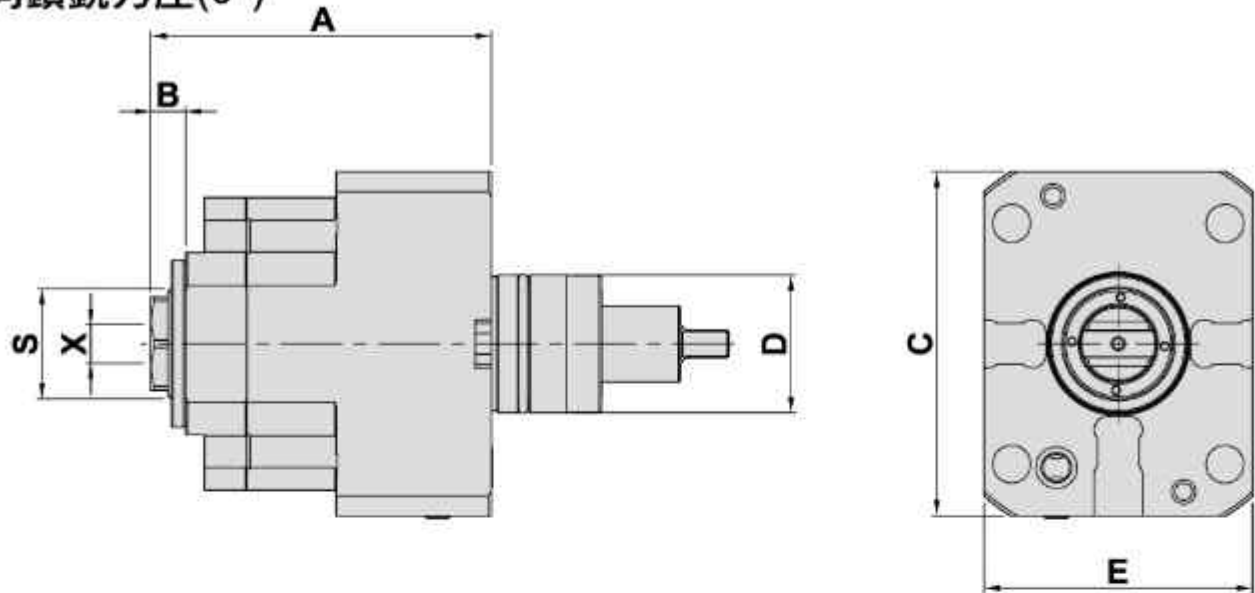
DIMENSIONS

Models	D	X Capacity	S	Maximum R.P.M.	A	B	C	F	G	M	Code No.	Order No.	(Kg) Weight
NZ1500/2000 NZX1500/2000/2500	40	1-16 ER25	42	5000	117	78	92	92	33	85	2401EM-000	NZ-BMT-DF40-25-85D	7.3

AXIAL MILLING AND DRILLING HEAD

TYPE MORI SEIKI

軸向鑽銑刀座(0°)



- To be used for collet DIN 6499
- Internal coolant supply: 15 bar 中心出水
- Collet is not included

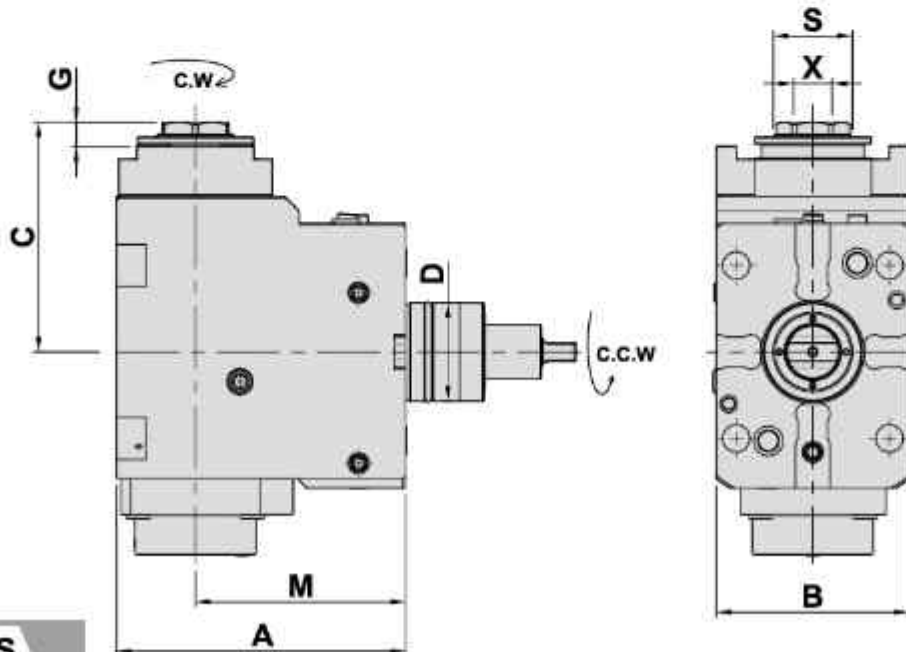
DIMENSIONS

Models	D	X Capacity	S	Maximum R.P.M.	A	B	C	E	Code No.	Order No.	(Kg) Weight
NZ1500/2000 NZX1500/2000/2500	40	1-16 ER25A	32	5000	99	10	100	78	1401DP-000	NZ-BMT-CW-DA40-ER25A	4.5

RADIAL MILLING AND DRILLING HEAD

徑向鑽銑刀座(90°)

- To be used for collet DIN 6499
- Internal coolant supply: 50 bar 中心出水
- Collet is not included



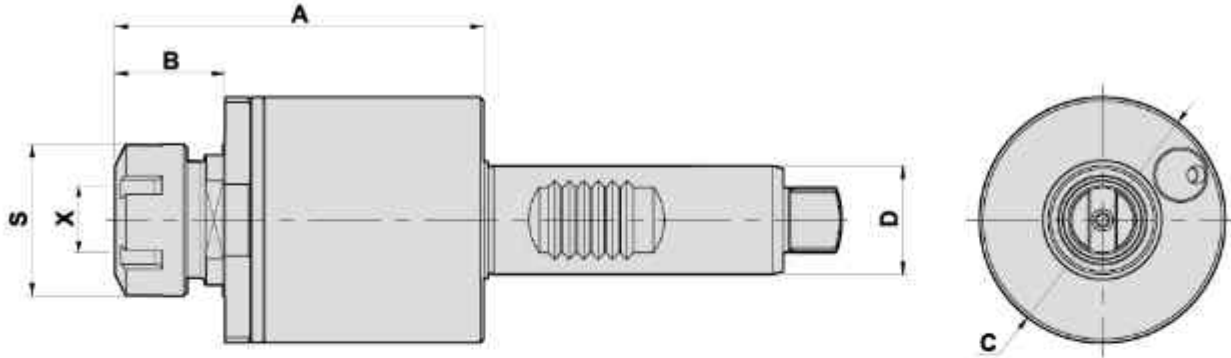
DIMENSIONS

Models	D	X Capacity	S	Maximum R.P.M.	A	B	C	G	M	Code No.	Order No.	(Kg) Weight
NZ1500/2000 NZX1500/2000/2500	40	1-16 ER25A	32	5000	117	78	39	10	85	2401EL-000	NZ-BMT-CW-DF40-25A-85	8.5

AXIAL MILLING AND DRILLING HEAD

TYPE MORI SEIKI

軸向鑽銑刀座 (0°)



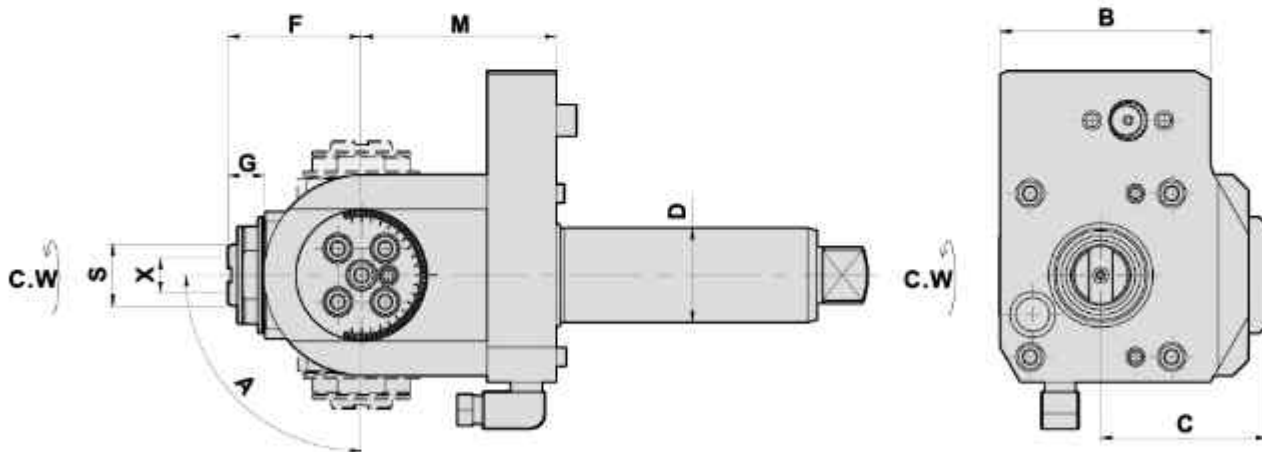
- To be used for collet DIN 6499
- External coolant supply
- Collet is not included

DIMENSIONS

Models	D	X Capacity	S	Maximum R.P.M.	A	B	C	Code No.	Order No.	(Kg) Weight
ZT1500 NZ2000	30	1-16 ER25	50	6000	102	30.5	68	1301DA-000	ZT1500-DA30-ER25	2.4

ANGULAR HEAD

萬向鑽銑刀座



- To be used for collet DIN 6499
- External coolant supply
- Collet is not included

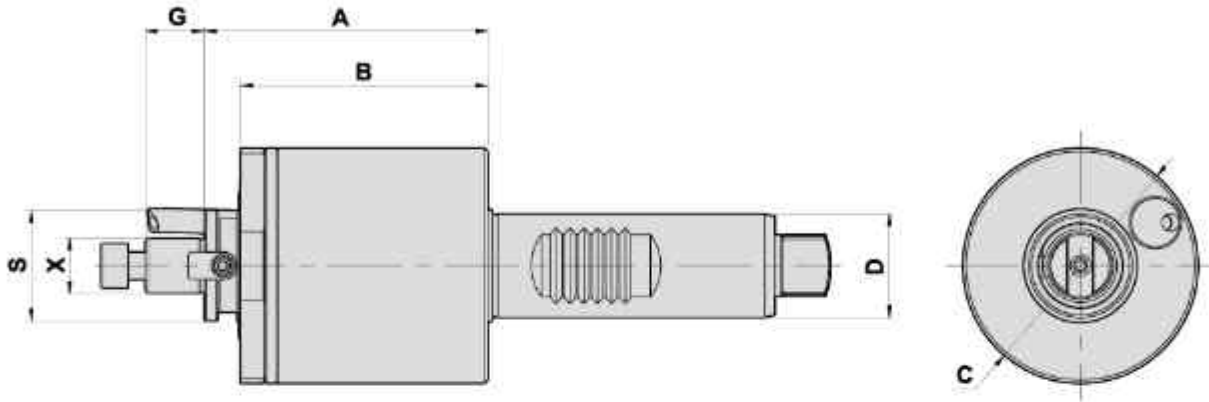
DIMENSIONS

Models	D	X Capacity	S	Maximum R.P.M.	A	B	C	F	G	M	Code No.	Order No.	(Kg) Weight
ZT1500 NZ2000	30	1-10 ER16	19.5	5000	±90°	67	53	42.5	12	62	1301DB-000	T324080A07-ER16A	3.3

AXIAL MILLING AND DRILLING HEAD

TYPE MORI SEIKI

軸向鑽銑刀座 (0°)



- To be used for collet DIN 6499
- External coolant supply
- Collet is not included

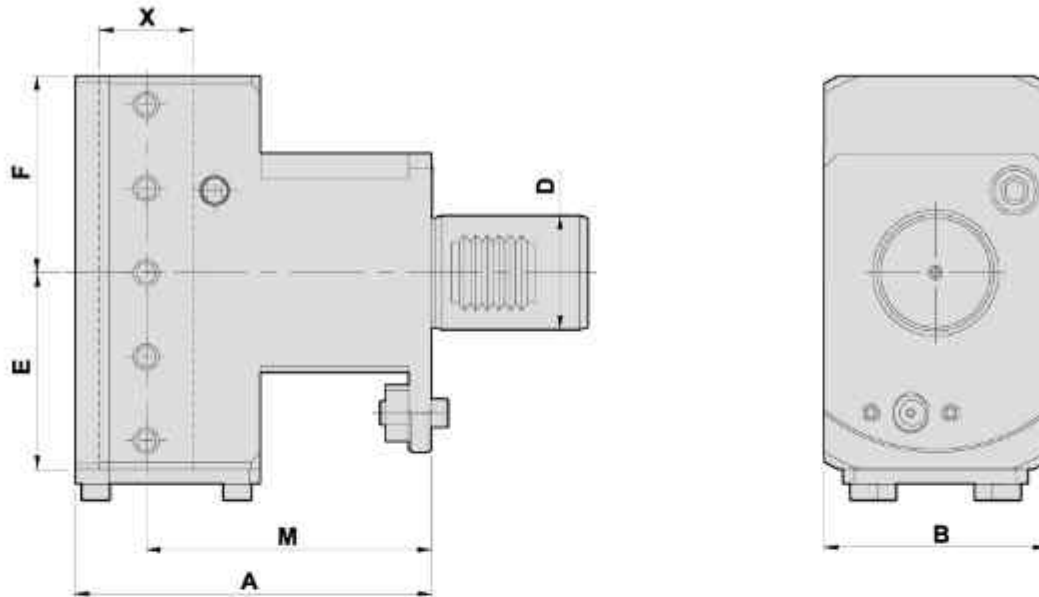
DIMENSIONS

Models	D	X Capacity	S	Maximum R.P.M.	A	B	C	G	Code No.	Order No.	(Kg) Weight
ZT1500 NZ2000	30	16	31	6000	82	71.5	68	17	1301DC-000	ZT1500-DA30-16C	2.4

BORING BAR HOLDER

TYPE MORI SEIKI

内孔刀座



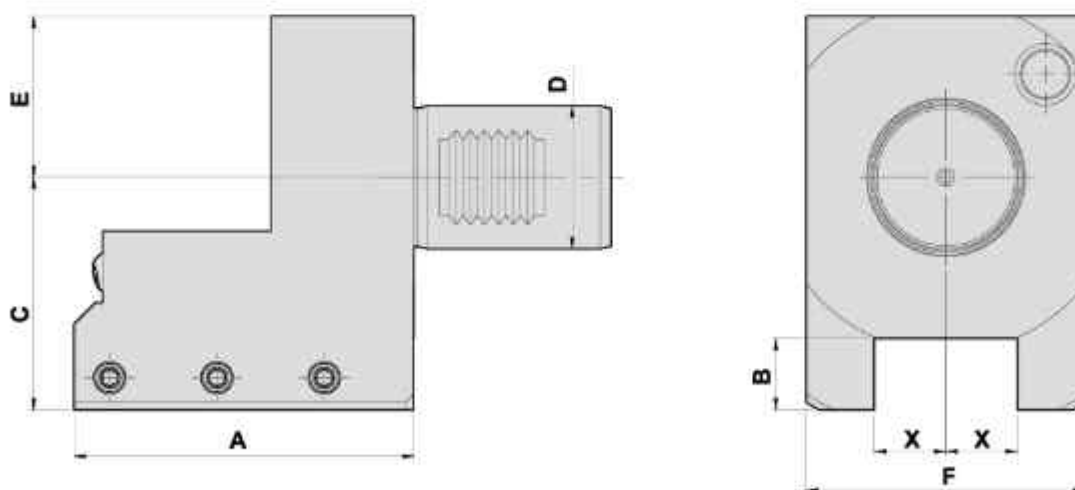
DIMENSIONS

● Internal, External coolant supply 内外部出水

Models	D	A	B	E	F	X	M	Code No.	Order No.	(Kg) Weight
NZ1500	30	112	70	69	69	32	85	307021-000	T32408A07	6.5
NZ2000	40	125	78	69	69	32	100	307022-000	T12080A01	8
	40	125	78	69	69	40	100	30802B-000	T12080A01-B40	7.3

TURNING HOLDER

外徑刀座



DIMENSIONS

● External coolant supply 外部出水

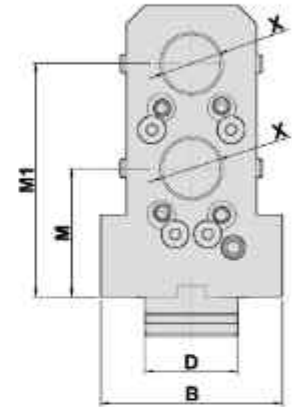
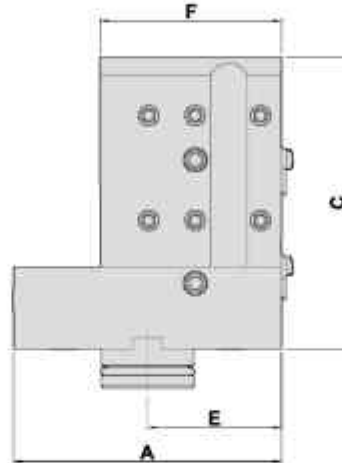
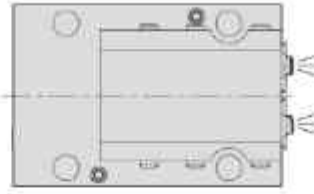
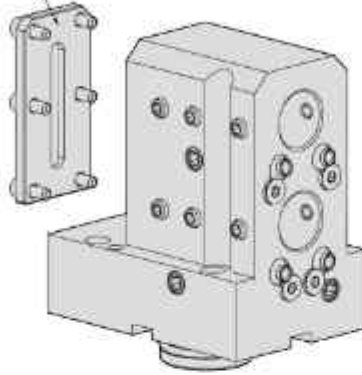
Models	D	A	B	C	E	F	X	Code No.	Order No.	(Kg) Weight
NZ1500 NZ2000	40	95	20	65	45	78	20	405021-000	T00276A01	4.3

DOUBLE BORING BAR HOLDER

TYPE MORI SEIKI

雙內孔刀座

內部出水蓋
Coolant Cover



DIMENSIONS

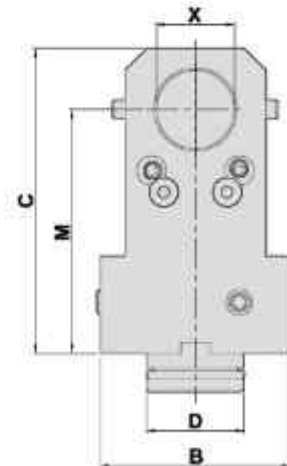
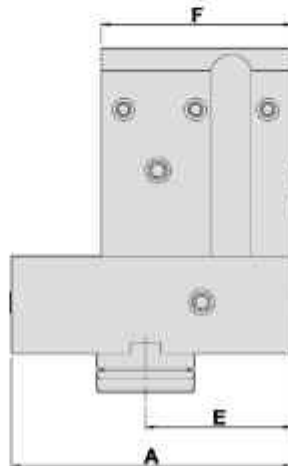
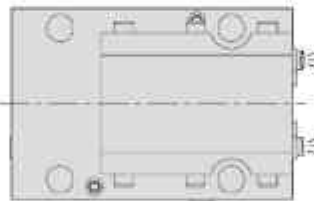
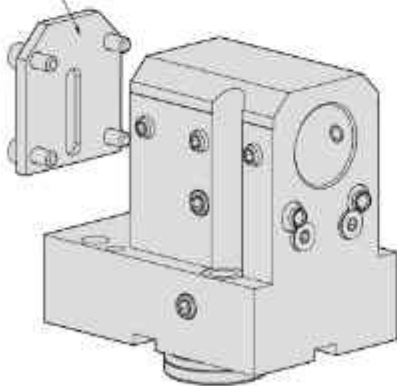
Models	D	A	B	C	E	F	M	M1	X	Code No.	Order No.	(Kg) Weight
NZ1500/2000	39.9	115	78	125	57.5	70	80	108	20	305022-000	NZ2000-BMT-B20x2-108-S	5
	39.9	115	78	125	57.5	78	55	100	25	306021-000	NZ2000-BMT-B25x2-100	4.7
NZX1500/2000/2500	39.9	115	78	125	57.5	78	55	100	25.4	3F1022-000	NZ2000-BMT-B25.4x2-100	4.9

- External coolant supply 外部出水
- Internal coolant supply 內部出水

BORING BAR HOLDER

內孔刀座

內部出水蓋
Coolant Cover



- External coolant supply 外部出水
- Internal coolant supply 內部出水

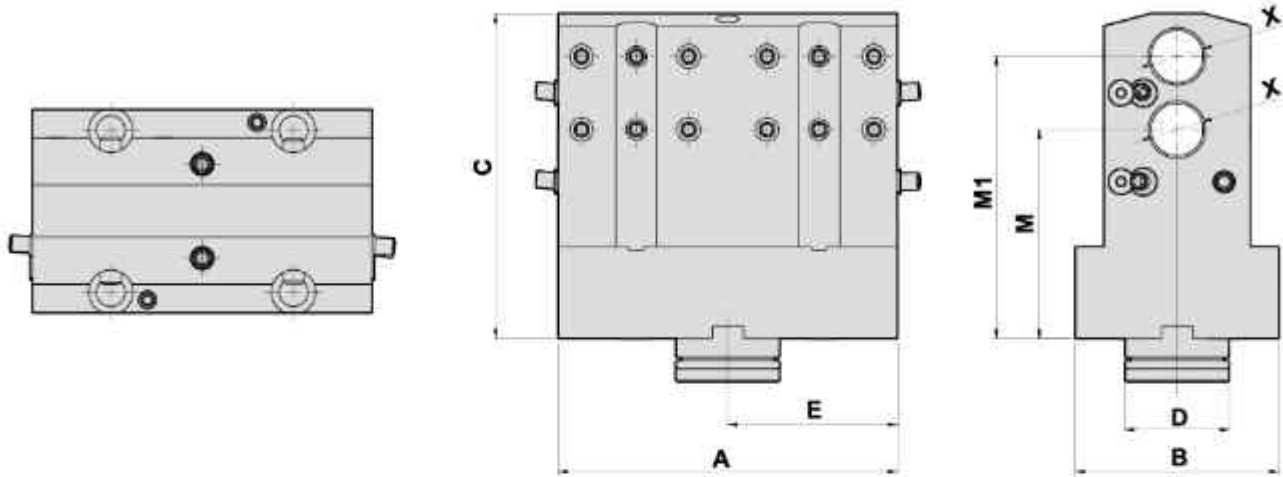
DIMENSIONS

Models	D	A	B	C	E	F	M	X	Code No.	Order No.	(Kg) Weight
NZ1500/2000	39.9	4.528"	3.071"	4.331"	2.362"	3.071"	3.346"	1.26"	3G1024-000	NZ2000-BMT-B31.75-85	4.4
	39.9	115	78	110	60	78	85	32	307024-000	NZ2000-BMT-B32-85	4.4
NZX1500/2000/2500	39.9	4.528"	3.071"	4.921"	2.362"	3.071"	3.937"	1.26"	3G1026-000	NZ2000-BMT-B31.75-100	5.1
	39.9	115	78	125	60	78	100	32	307023-000	NZ2000-BMT-B32-100	5.1

DOUBLE BORING BAR HOLDER

TYPE MORI SEIKI

雙內孔刀座



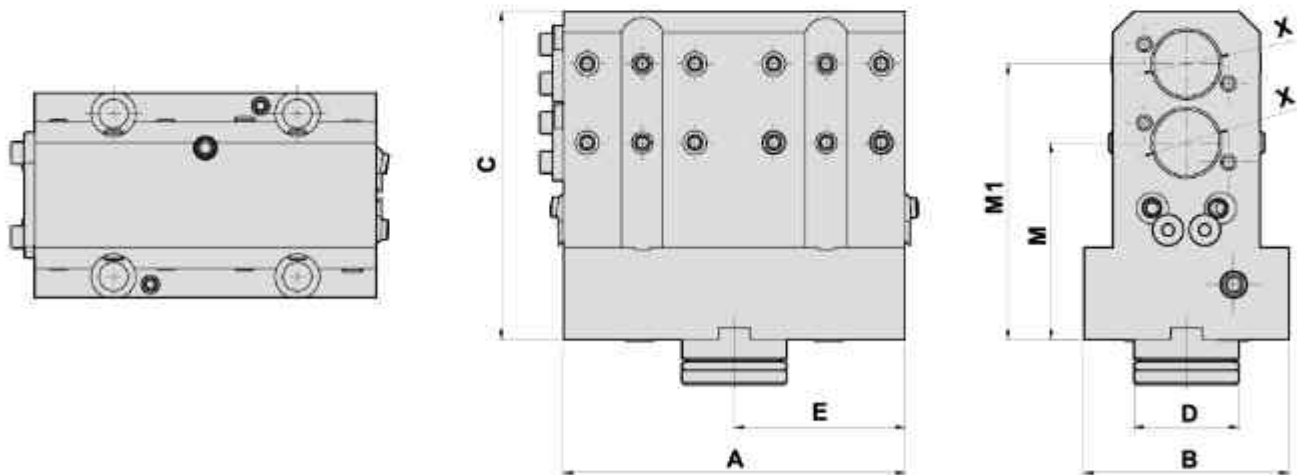
DIMENSIONS

● External, internal coolant supply 內外部出水

Models	D	A	B	C	E	M	M1	X	Code No.	Order No.	(Kg) Weight
NZ1500/2000 NZX1500/2000/2500	39.9	130	78	125	65	80	108	20	305021-000	NZ2000-BMT-B20x2-108	6.8

DOUBLE BORING BAR HOLDER

雙內孔刀座



DIMENSIONS

● External, internal coolant supply 內外部出水

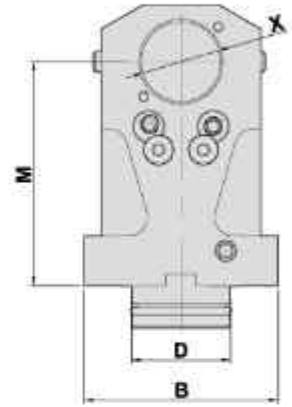
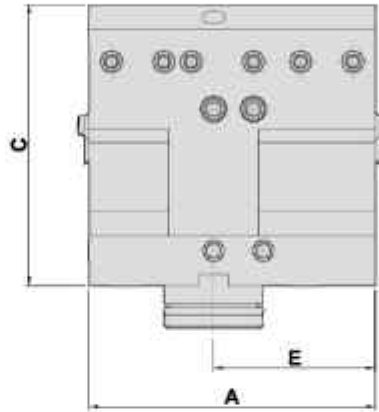
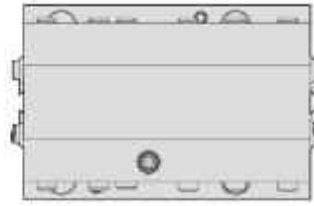
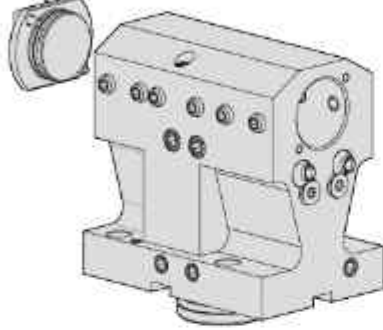
Models	D	A	B	C	E	M	M1	X	Code No.	Order No.	(Kg) Weight
NZ1500/2000 NZX1500/2000/2500	39.9	130	78	125	65	75	105	25	306023-000	NZ2000-BMT-B25x2-105	6.6

BORING BAR HOLDER

TYPE MORI SEIKI

内孔刀座

内部出水蓋
Coolant Cover



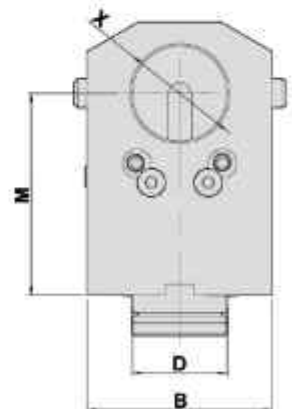
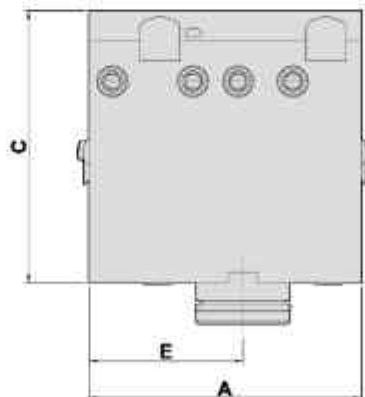
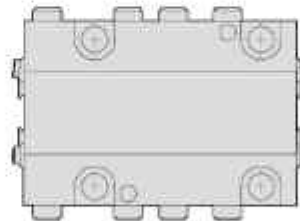
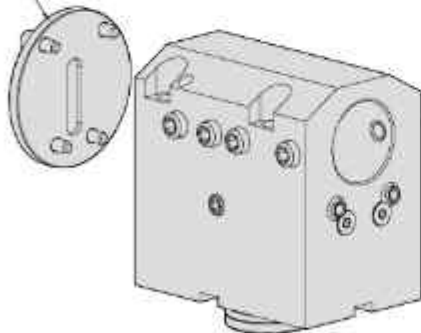
- External coolant supply 外部出水
- Internal coolant supply 内部出水

Models	D	A	B	C	E	M	X	Code No.	Order No.	(Kg) Weight
NZ1500/2000 NZX1500/2000/2500	39.9	115	78	113	65	90	32	307026-000	NZ2000-BMT-B32-90-115	5.1

BORING BAR HOLDER

内孔刀座

内部出水蓋
Coolant Cover



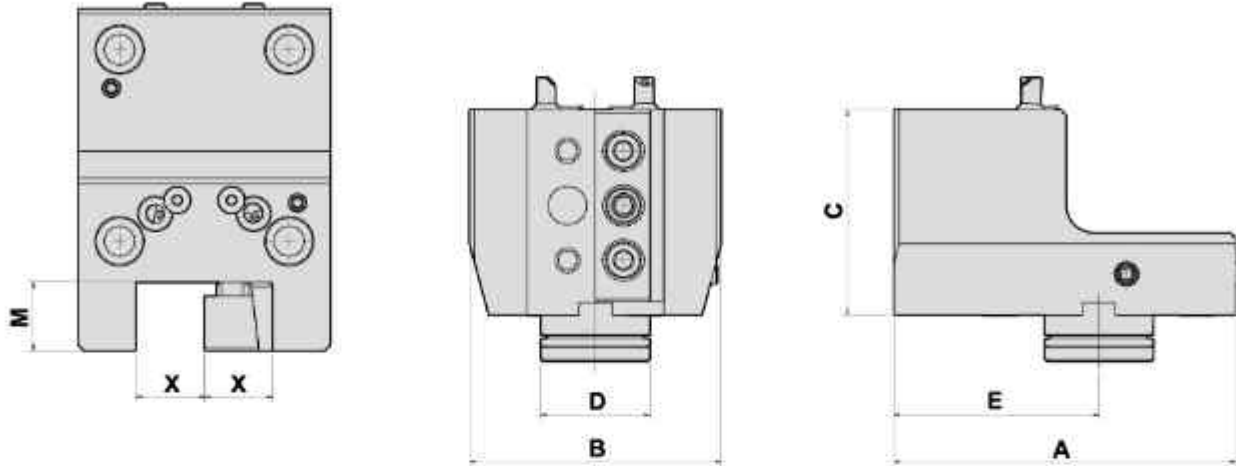
DIMENSIONS

Models	D	A	B	C	E	M	X	Code No.	Order No.	(Kg) Weight
NZ1500/2000 NZX1500/2000/2500	39.9	115	78	115	65	85	40	308024-000	NZ2000-BMT-B40-85	6.5
	39.9	126	78	110	71	85	32	307030-000	NZ2000-BMT-B32-85-126	7.1
	39.9	142	78	115	81	85	40	308030-000	NZ2000-BMT-B40-85-142	7.7

TURNING HOLDER

TYPE MORI SEIKI

外徑刀座



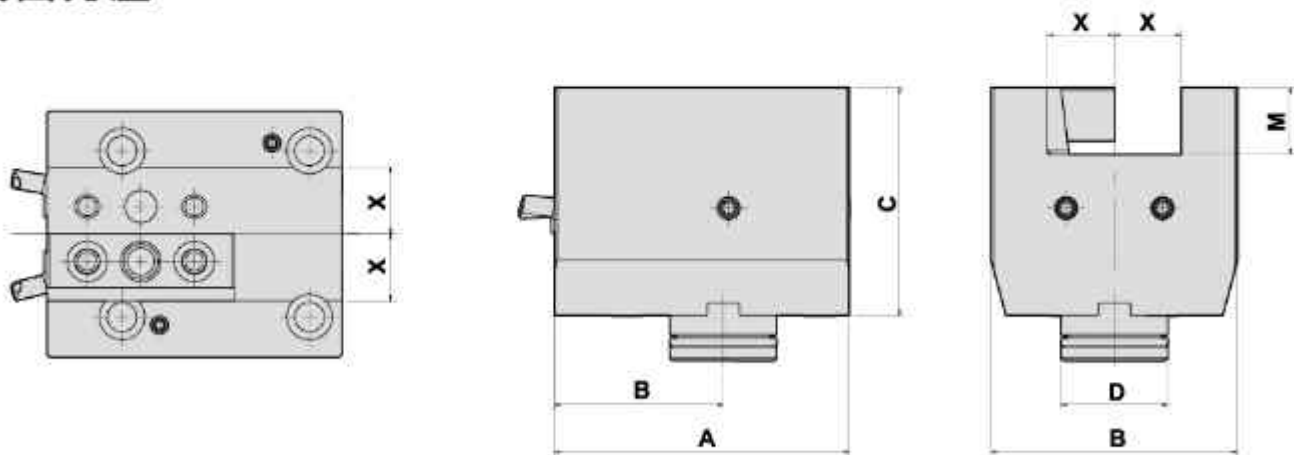
DIMENSIONS

● External coolant supply 外部出水

Models	D	A	B	C	E	M	X	Code No.	Order No.	(Kg) Weight
NZ1500/2000	39.9	115	82	70	64	20	20	405024-000	NZ2000-BMT-C20-70	3.6
NZX1500/2000/2500	39.9	125	92	75	75	25	25	406026-000	NZ2000-BMT-C25-75	4.1
	39.9	125	92	75	75	25.4	25.4	4E1025-000	NZ2000-BMT-C25.4-75	4.1

FACING HOLDER

端面刀座



DIMENSIONS

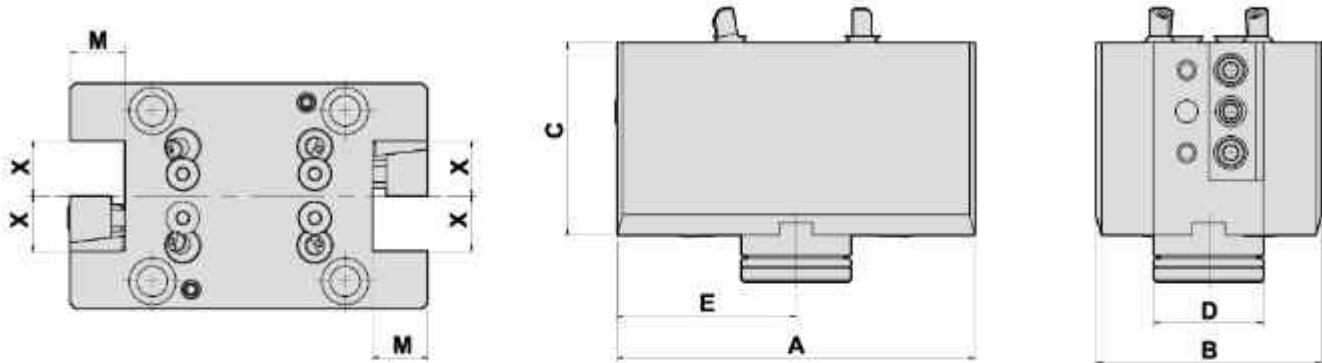
● External coolant supply 外部出水

Models	D	A	B	C	E	M	X	Code No.	Order No.	(Kg) Weight
NZ1500/2000	39.9	110	81	85	63	20	20	505021-000	NZ2000-BMT-F20-85	5
NZX1500/2000/2500	39.9	110	92	85	63	25	25	506023-000	NZ2000-BMT-F25-85	5.5
	39.9	110	92	85	63	25.4	25.4	5F1022-000	NZ2000-BMT-F25.4-85	5.5

DOUBLE SIDE TURNING HOLDER

TYPE MORI SEIKI

雙側外徑刀座



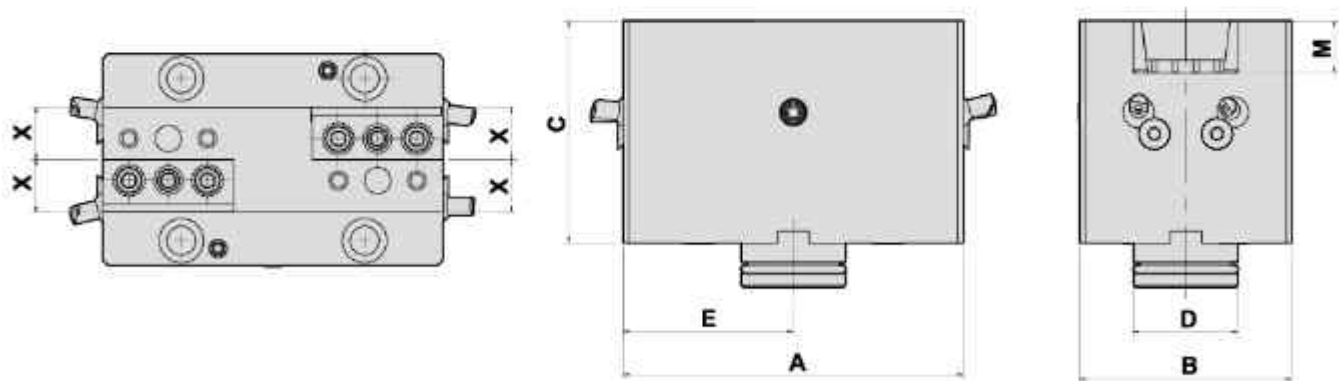
DIMENSIONS

● External coolant supply 外部出水

Models	D	A	B	C	E	M	X	Code No.	Order No.	(Kg) Weight
NZ1500/2000 NZX1500/2000/2500	39.9	130	82	70	65	20	20	405027-000	NZ2000-BMT-C20x2-70	4.8
	39.9	130	82	95	65	20	20	405025-000	NZ2000-BMT-C20x2-95	5.8
	39.9	144	90	75	72	25	25	406029-000	NZ2000-BMT-C25x2-75	6.4

DOUBLE SIDE FACING HOLDER

雙側端面刀座



DIMENSIONS

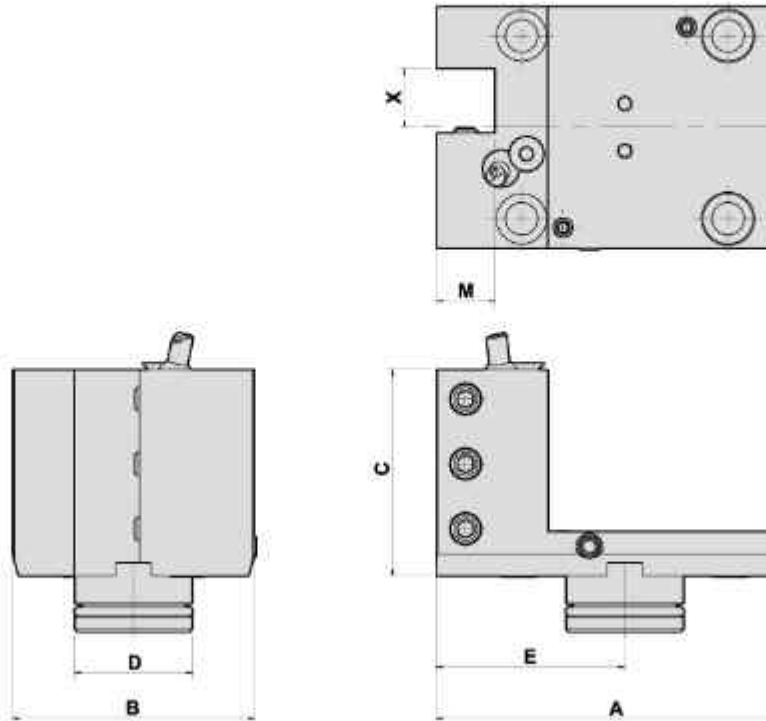
● External coolant supply 外部出水

Models	D	A	B	C	E	M	X	Code No.	Order No.	(Kg) Weight
NZ1500/2000 NZX1500/2000/2500	39.9	130	81	85	65	20	20	505022-000	NZ2000-BMT-F20x2-85	6.1

CUTTING HOLDER

TYPE MORI SEIKI

切斷刀座



DIMENSIONS

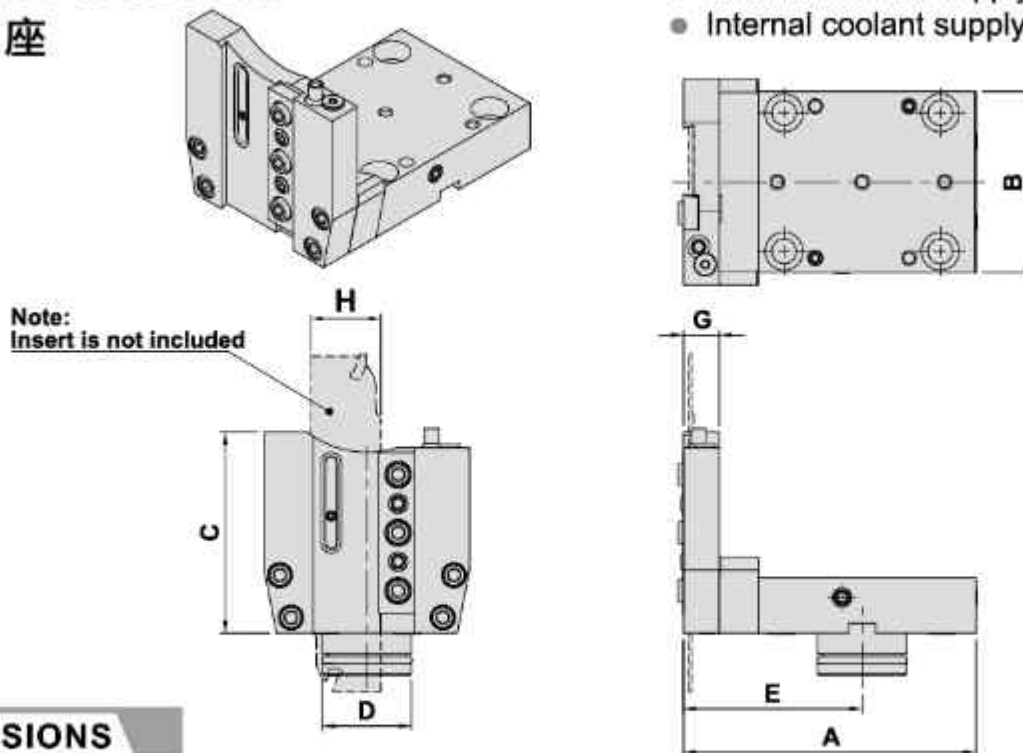
● External coolant supply 外部出水

Models	D	A	B	C	E	M	X	Code No.	Order No.	(Kg) Weight
NZ1500/2000 NZX1500/2000/2500	39.9	115	82	70	64	20	20	705021-000	NZ2000-BMT-R20-70	2.1

CUTTING HOLDER

切斷刀座

● External coolant supply 外部出水
● Internal coolant supply 内部出水



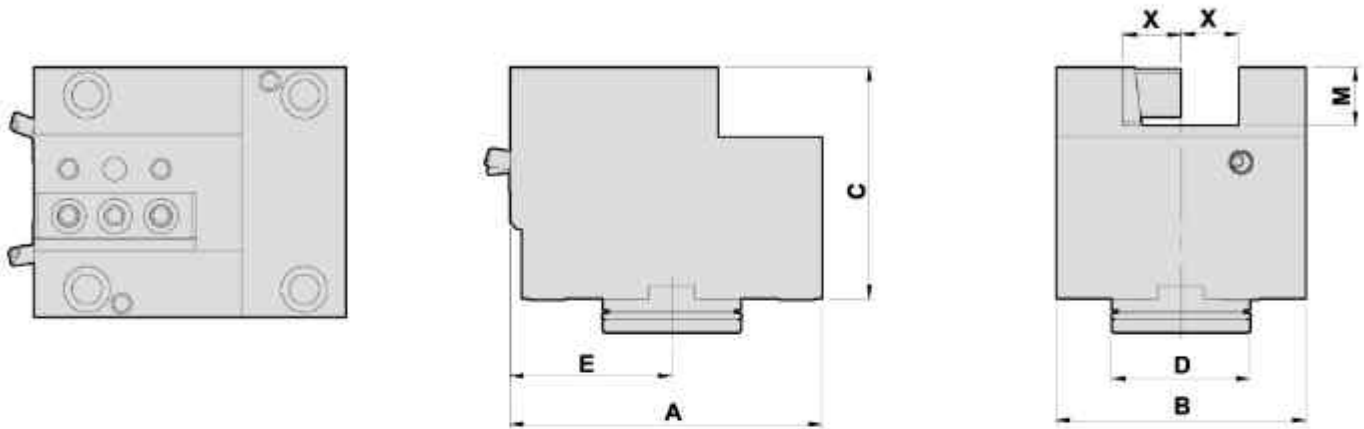
DIMENSIONS

Models	D	A	B	C	E	G	H	-	Code No.	Order No.	(Kg) Weight
NZ1500/2000 NZX1500/2000/2500	39.9	131	81	90	80	16	32	-	706024-000	NZ-BMT-R25-90-H	2.8

FACING HOLDER

TYPE MORI SEIKI

端面刀座



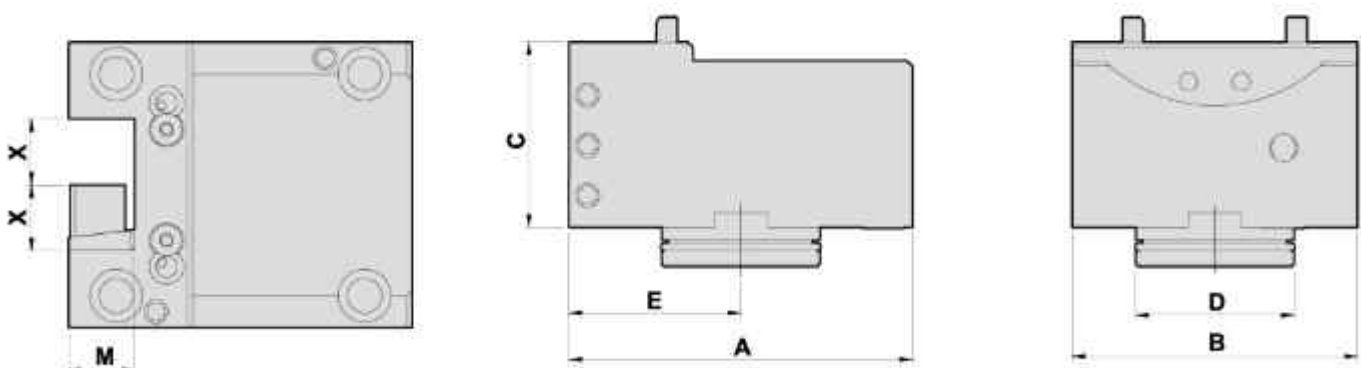
DIMENSIONS

● External coolant supply 外部出水

Models	D		A	B	C	E	M	X	Code No.	Order No.	(Kg) Weight
NL1500/2000 NL2500/3000 NLX1500/2000/2500 NLX3000/4000	59.9	inch	5.315"	4.252"	3.937"	2.756"	1"	1"	5F1021-000	NL1500-F25-4-100	9
		mm	135	108	100	70	25	25	506021-000	T03005-F25	9

TURNING HOLDER

外徑刀座



DIMENSIONS

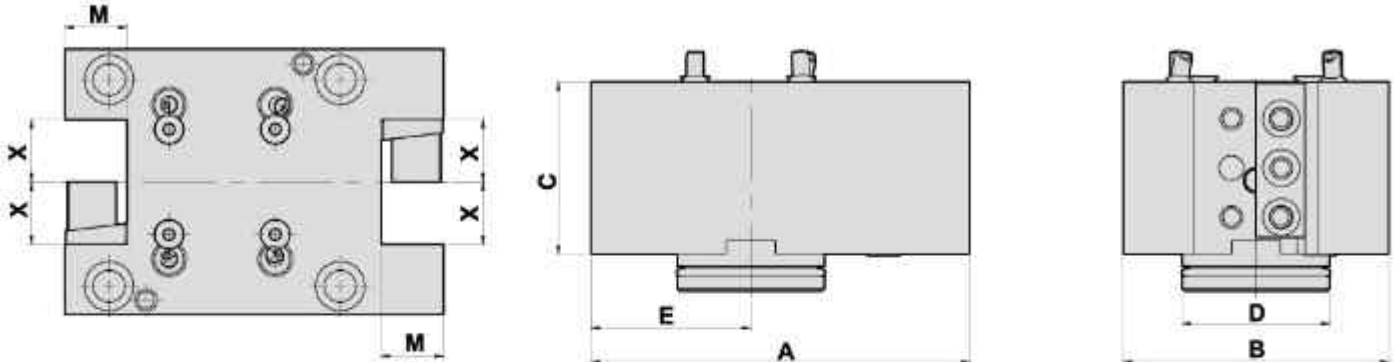
● External coolant supply 外部出水

Models	D		A	B	C	E	M	X	Code No.	Order No.	(Kg) Weight
NL1500/2000 NL2500/3000 NLX1500/2000/2500 NLX3000/4000	59.9	inch	5.118"	4.252"	2.756"	2.56"	1"	1"	4F1021-000	NL1500-C25.4-70	5.7
		mm	130	108	70	65	25	25	406021-000	T00186A10-C25	5.7

DOUBLE SIDE TURNING HOLDER

TYPE MORI SEIKI

雙側外徑刀座



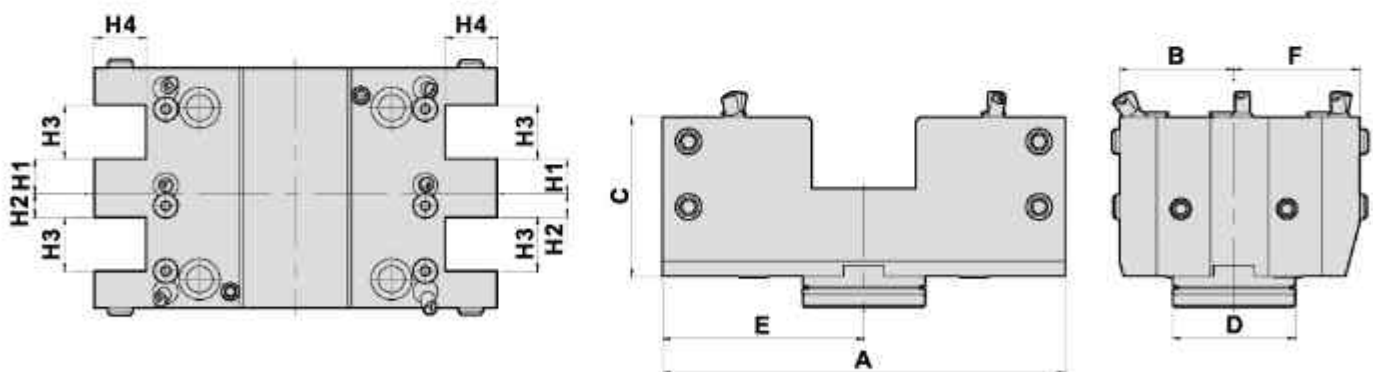
DIMENSIONS

● External coolant supply 外部出水

Models	D	A	B	C	E	M	X	Code No.	Order No.	(Kg) Weight
NL1500/2000 NL2500/3000	59.9 inch	6.142"	4.252"	2.756"	2.56"	1"	1"	4F1022-000	NL1500-C25.4x2-70	7.9
NLX1500/2000/2500 NLX3000/4000	59.9 mm	156	108	70	65	25	25	406022-000	T00184-C25x2-70	7.9

DOUBLE SIDE TWIN TURNING HOLDER

雙側雙外徑刀座



DIMENSIONS

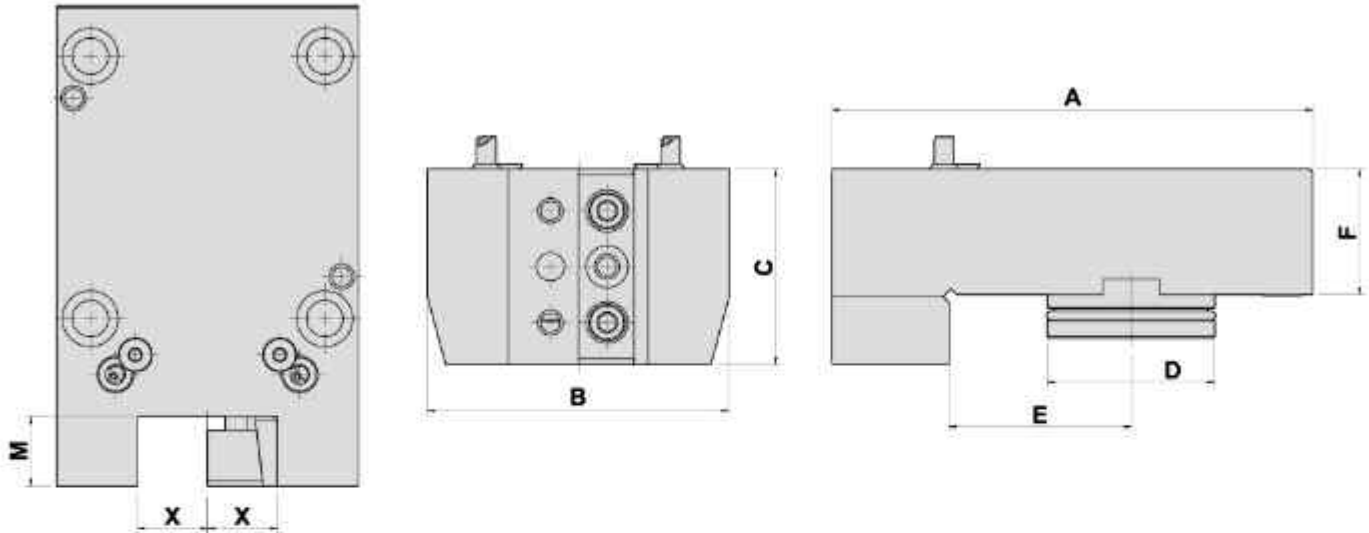
● External coolant supply 外部出水

Models	D	H1	H2	H3	H4	A	B	C	E	F	Code No.	Order No.	(Kg) Weight
NL1500/2000 NL2500/3000	59.9 inch	0.67"	0.452"	1.039"	1"	7.756"	2.205"	3.07"	3.878"	2.421"	4F1024-000	NL1500-C25.4x4-78	10.2
NLX1500/2000/2500 NLX3000/4000	59.9 mm	17	11.5	26	25	197	56	78	98.5	61.5	406028-000	NL1500-C25x4-78	10.2

TURNING HOLDER

TYPE MORI SEIKI

外徑刀座



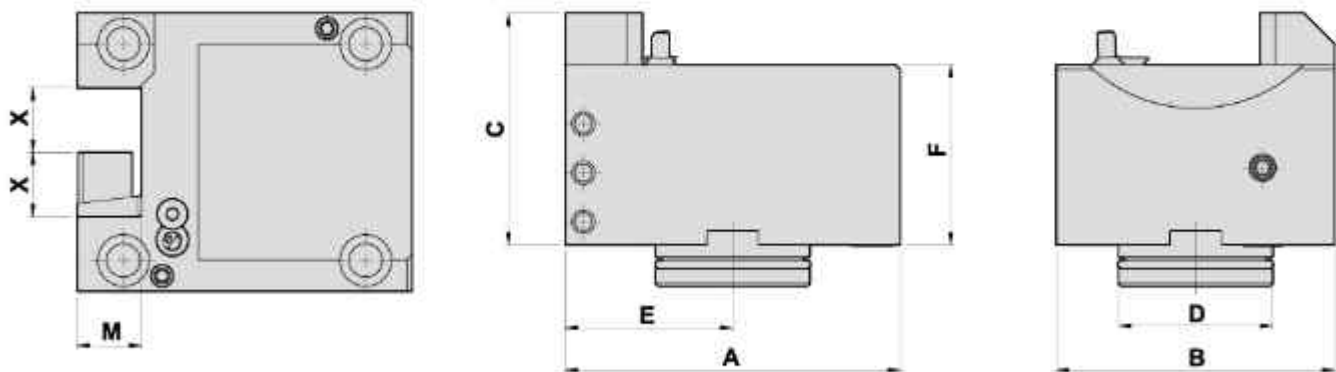
DIMENSIONS

● External coolant supply 外部出水

Models	D		A	B	C	E	F	M	X	Code No.	Order No.	(Kg) Weight
NL1500/2000 NL2500/3000	59.9	inch	6.77"	4.252"	2.756"	2.567"	1.77"	1"	1"	4F1023-000	NL1500-C25.4-45	6.6
NLX1500/2000/2500 NLX3000/4000		mm	172	108	70	65.2	45	25	25	406023-000	NL1500-C25-45	6.6

TURNING HOLDER

外徑刀座



DIMENSIONS

● External coolant supply 外部出水

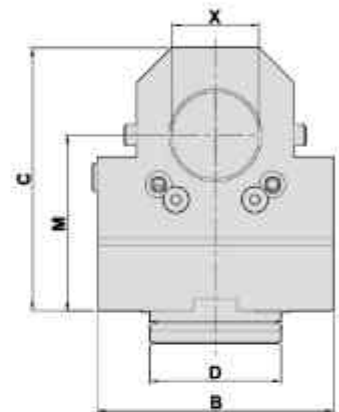
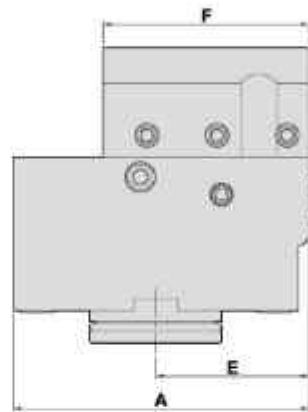
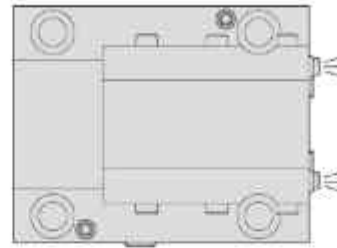
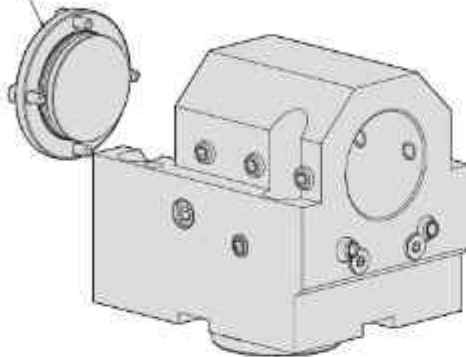
Models	D	A	B	C	E	F	M	X	Code No.	Order No.	(Kg) Weight
NL1500/2000 NL2500/3000 NLX1500/2000/2500 NLX3000/4000	59.9	130	108	90	65	70	25	25	406024-000	NL1500-C25-90	6.2

BORING BAR HOLDER

TYPE MORI SEIKI

内孔刀座

内部出水蓋
Coolant Cover



DIMENSIONS

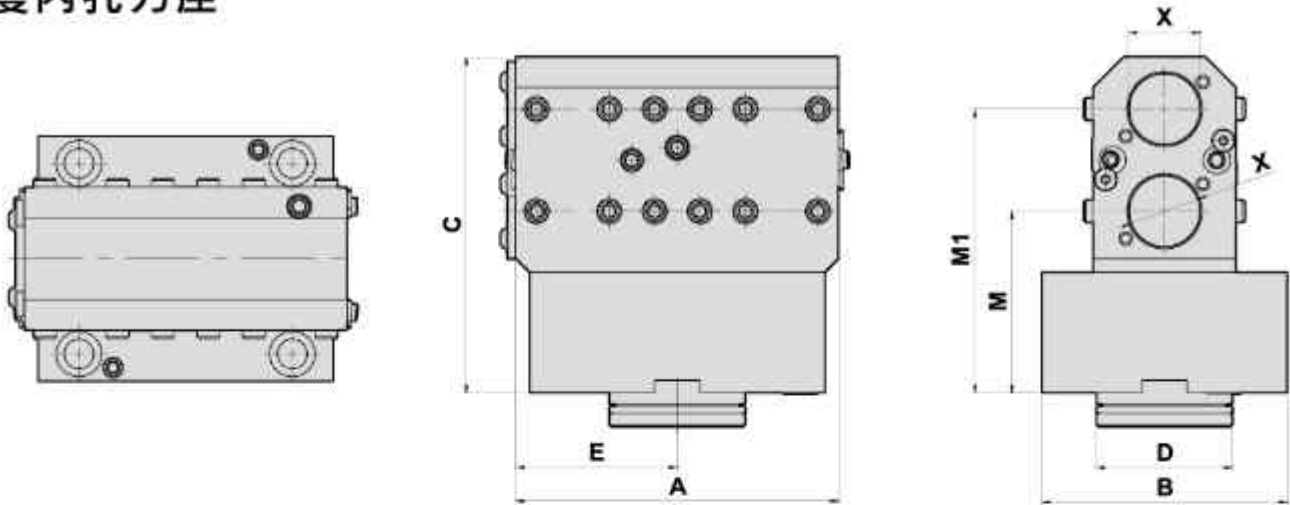
- External coolant supply 外部出水
- Internal coolant supply 内部出水

Models	D		A	B	C	E	F	M	X	Code No.	Order No.	(Kg) Weight
NL1500/2000 NL2500/3000 NLX1500/2000/2500 NLX3000/4000	59.9	inch	5.315"	4.252"	4.724"	2.756"	3.7"	3.15"	1.25"	3G1021-000	NL1500-B31.75-80	8.9
	59.9	inch	5.315"	4.252"	4.232"	2.756"	3.7"	2.756"	1.5"	3H1021-000	NL1500-B38.1-70	7.7
	59.9	inch	5.315"	4.252"	4.626"	2.756"	3.7"	3.346"	1.5"	3H1023-000	NL1500-B38.1-85	8.8
	59.9	mm	135	108	108	70	94	70	40	308026-000	NL1500-B40-70	7.6
	59.9	mm	135	108	120	70	94	80	40	308021-000	T10097B06-B40-80	9
	59.9	mm	135	108	120	70	94	80	50	309021-000	NL1500-B50-80	8.2
	59.9	inch	5.315"	4.252"	4.724"	2.756"	3.7"	3.15"	2"	3I1021-000	NL1500-B50.8-80	8.3

DOUBLE BORING BAR HOLDER

TYPE MORI SEIKI

雙內孔刀座



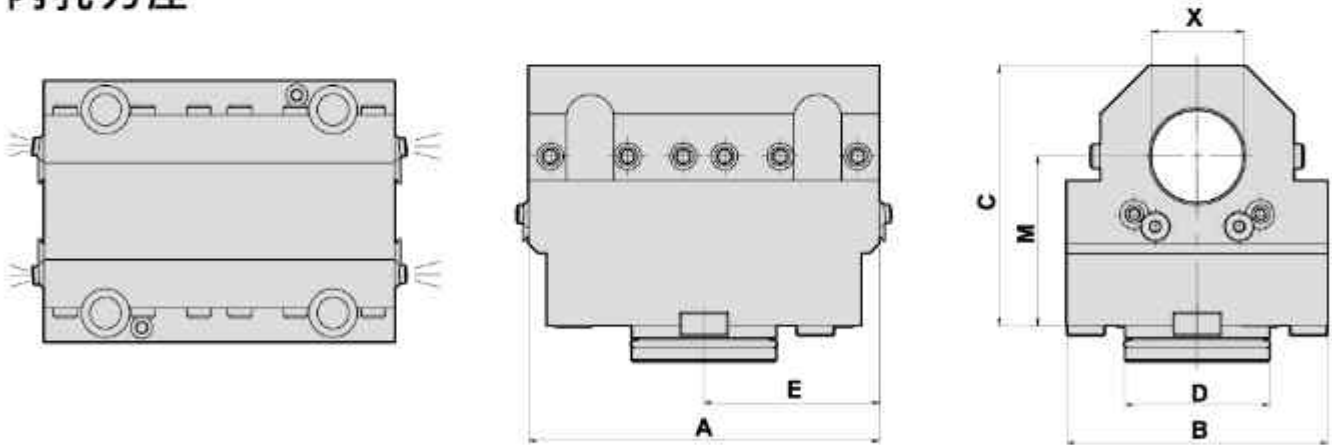
DIMENSIONS

• Internal, External coolant supply 內外部出水

Models	D		A	B	C	E	M	M1	X	Code No.	Order No.	(Kg) Weight
NL1500/2000 NL2500/3000	59.9	inch	5.59"	4.252"	5.827"	2.795"	3.15"	4.92"	1.25"	3G1025-000	NL1500-B31.75x2-125	10.4
NLX1500/2000/2500 NLX3000/4000	59.9	mm	142	108	148	71	80	125	32	307025-000	NL1500-B32x2-125	10.4

BORING BAR HOLDER

內孔刀座



DIMENSIONS

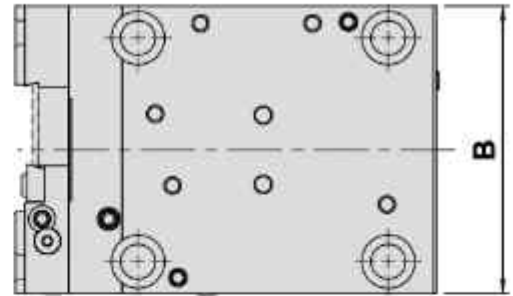
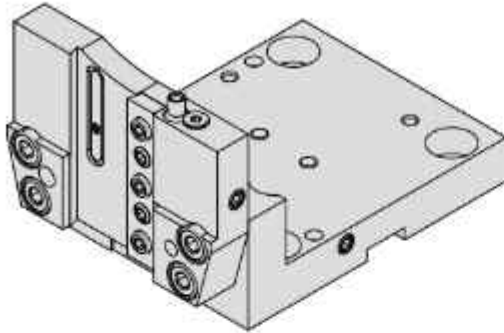
• External coolant supply 外部出水

Models	D		A	B	C	E	M	X	Code No.	Order No.	(Kg) Weight
NL1500/2000 NL2500/3000	59.9	inch	5.709"	4.252"	4.232"	2.854"	2.756"	1.5"	3H1022-000	NL1500-B38.1-70-L	9.1
NLX1500/2000/2500 NLX3000/4000	59.9	mm	145	108	115	72.5	80	40	30802A-000	NL1500-B40-80-L	10.2
	59.9	mm	130	108	125	65	80	60	310021-000	NL1500-B60-80	8.9

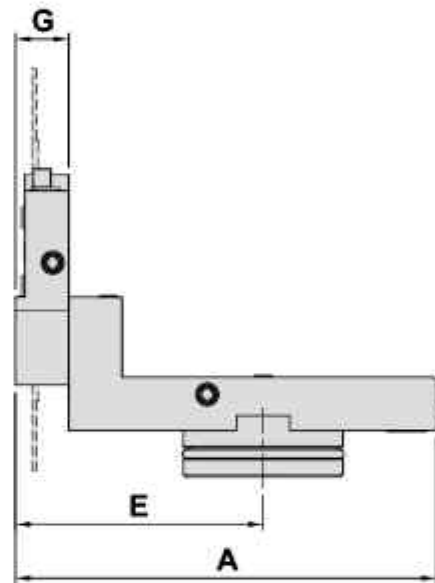
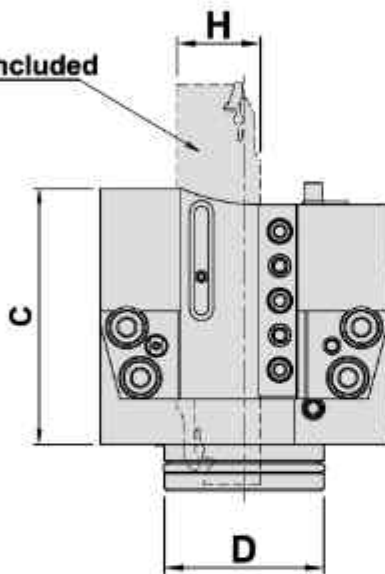
CUTTING HOLDER

TYPE MORI SEIKI

切斷刀座



Note:
Insert is not included



DIMENSIONS

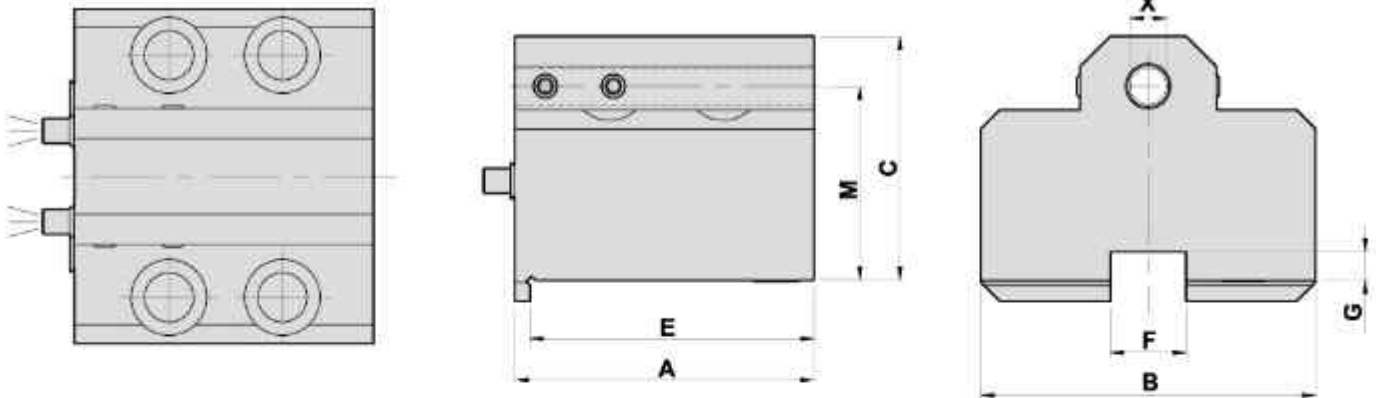
- External coolant supply 外部出水
- Internal coolant supply 内部出水

Models	D	A	B	C	E	G	H	-	Code No.	Order No.	(Kg) Weight
NL1500/2000 NL2500/3000 NLX1500/2000/2500 NLX3000/4000	59.5	158	108	96	93	20	32	-	706023-000	NL1500-R25-90-SH	3.9

BORING BAR HOLDER

TYPE MORI SEIKI

内孔刀座



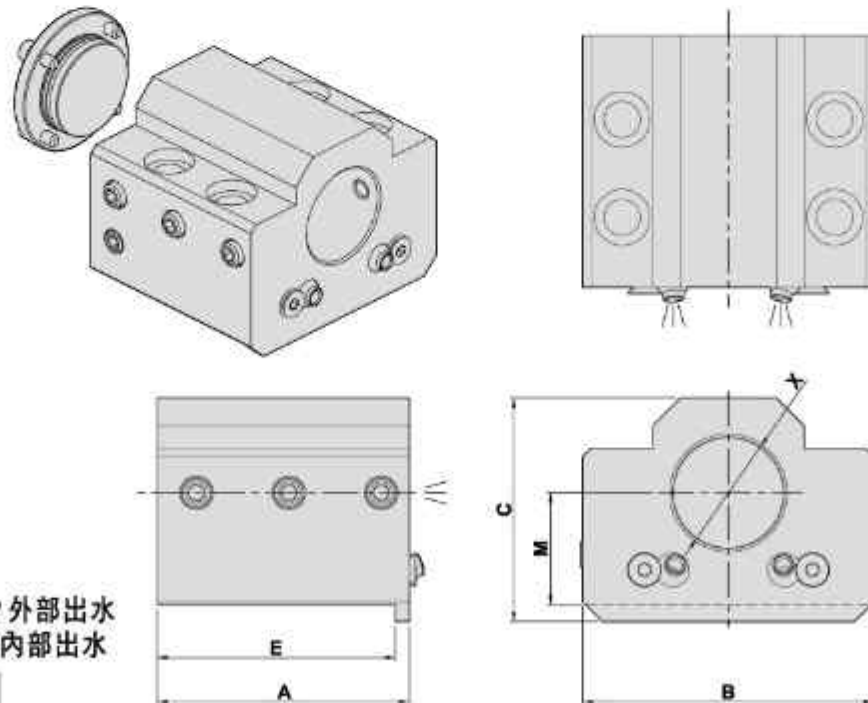
DIMENSIONS

● External coolant supply 外部出水

Models		A	B	C	E	F	G	M	X	Code No.	Order No.	(Kg) Weight
CL200B	inch	3.11"	3.484"	2.539"	2.953"	0.787"	0.295"	2.02"	0.375"	3B1021-000	CL200B-B9.525-51	2.4
		3.11"	3.484"	3.523"	2.953"	0.787"	0.295"	2.99"	0.375"	3B1022-000	CL200B-B9.525-76	3.7
		3.11"	3.484"	3.523"	2.953"	0.787"	0.295"	2.99"	0.5"	3C1021-000	CL200B-B12.70-76	3.6
		3.11"	3.484"	4.331"	2.953"	0.787"	0.295"	3.79"	0.5"	3C1022-000	CL200B-B12.70-96.3	5.1
		3.11"	3.484"	3.523"	2.953"	0.787"	0.295"	2.99"	0.625"	3D1021-000	CL200B-B15.875-76	3.9
		3.11"	3.484"	3.523"	2.953"	0.787"	0.295"	2.99"	0.75"	3E1021-000	CL200B-B19.05-76	3.9
		3.11"	3.484"	4.331"	2.953"	0.787"	0.295"	3.79"	0.75"	3E1022-000	CL200B-B19.05-96.3	4.9

BORING BAR HOLDER

内孔刀座



- External coolant supply 外部出水
- Internal coolant supply 内部出水

DIMENSIONS

Models	A	B	C	E	M	X	Code No.	Order No.	(Kg) Weight
CL2000/ALX2000	90	104	80	85	40	40	308023-000	CL2000-B40-40	3.5
	90	104	80	85	40	50	309023-000	CL2000-B50-40	3.7